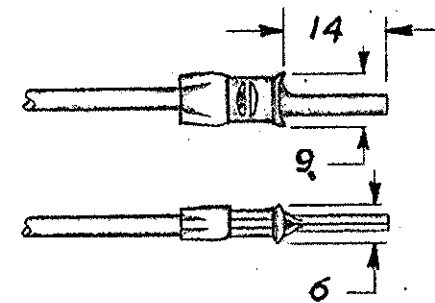
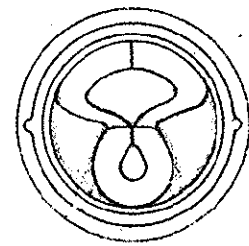
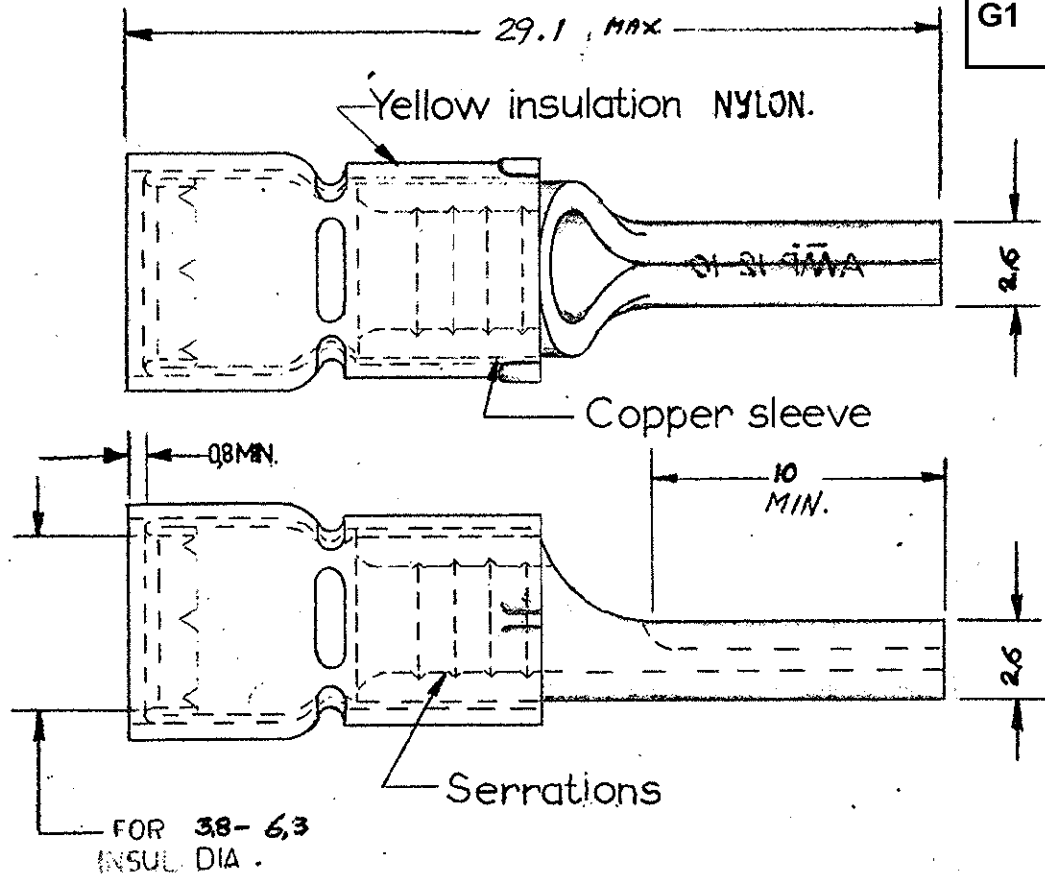


DIMENSIONS IN MM —DO NOT SCALE PRINT

NUMBER  
C-165049

LTR	REVISION RECORD	DATE	APPROVED
G1	REVISED PER ECO-11-005294	14APR11	HMR

TE CONNECTIVITY NR	FINISH
165049	Tinplated



CUSTOMER PRINT  
FOR REFERENCE ONLY

-9	-8	-7	-6	-5	-4	-3	-2	-1
REQUIRED PER ASSEMBLY								
DESCRIPTION								

DWG SIZE	NUMBER	NAME	REMARKS	ITEM NO.
MATERIAL	HEAT TREAT	FINISH		
Copper	~	Tinpl.		
DR. <i>L. Horvath</i>	DATE APP. <i>15-11-60</i>	DATE REL. <i>14/1/60</i>	DATE	
CHK. <i>L. Horvath</i>	DATE APP. <i>11/1/60</i>	DATE FIRST USED <i>11/21-60</i>	TOL. <i>±0.2</i>	
TE Connectivity	TYPE	PRINT DIST	LOC	SIZE NUMBER
	G.P.		HA	C-165049
SCALE	WIRE SIZE	CMA	NAME	REV
4:1	27-66	MAX. MIN.	WIRE PIN P.I.D.G.	G1