

LightOWL® Dual Technology Ultrasonic and Passive Infrared Sensor

CEILING AND WALL MOUNT OCCUPANCY SENSORS

TITLE
24
COMPLIANCE



LISTED



PROJECT INFORMATION

Project Name _____

Catalog No. _____

Date _____



LODT

The *LightOWL* Dual Technology Ultrasonic and Passive Infrared Sensor combines ultrasonic (US) and passive infrared (PIR) technologies to turn lighting on and off based on occupancy. Designed specifically for areas where ceiling sensors are not appropriate, this sensor features Hubbell Controls' patented IntelliDAPT® technology, which makes all the sensor adjustments automatically.

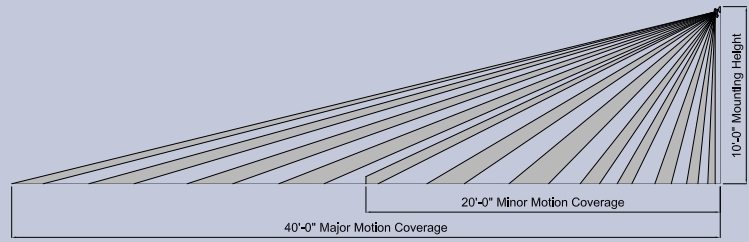
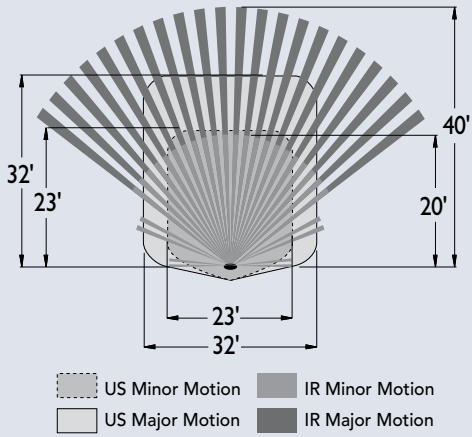
Throughout the product's lifespan, *IntelliDAPT* software analyzes the controlled area and makes digital adjustments to sensitivity and timer settings. Occupancy sensors with *IntelliDAPT* technology provide a maintenance-free install-and-forget operation.

PRODUCT FEATURES

- *IntelliDAPT* self-adaptive technology—no manual adjustment required
- All-digital dual technology passive infrared (PIR) and ultrasonic (US) sensor
- Non-volatile memory for sensor settings
- 1,600 square-foot coverage area
- Optional relay and photocell control
- Optional Quick-to-Install (QTI) connector
- UL and cUL listed
- California Title 24 compliant
- Five-year limited warranty
- Low voltage device: 24 Vdc



HUBBELL
Control Solutions



General Specifications

IntelliDAPT® Technology	Auto reset from test setting Self-adjusting timer Self-adjusting passive infrared and acoustic thresholds Automatic false-on/false-off corrections
LED lamp	Red - infrared motion Green - ultrasonic detection
Timer timeout	Automatic mode: 8–30 minutes (self-adjusts based on occupancy) Test mode: 8 seconds (for an easy check at installation)
Passive infrared (PIR)	Dual-element pyrometer and 12-element cylindrical rugged lens
Ultrasonic (US) output	Operating frequency: 32kHz
RP option	Relay and photocell included Relay: N/O + N/C contacts; SPDT; 500 mA rated @ 24VDC; three-wire isolated relay Photocell: adjustable natural-light override ranges from 0 to 100 foot-candles (0–1,000 lux) Factory set at 3,000 lux (disable photocell)
Coverage	1,600 square feet
Power requirements	24VDC, 33 mA (uses UVPP and MP-Series power pack—not included)
Output	24VDC active high-logic control signal with short circuit protection and optional dry contact (see: RP Option)
Operating environment	Indoor use only Operating temperature: 32° to 104°F (0° to 40°C) Relative humidity (non-condensing): 0% to 95%
Construction	Casing – Rugged, high-impact, injection-molded plastic KJB ABS Cylolac (UL-945VA) Color-coded leads are 6" long
Dimensions	6.58" x 3.63" x 3.72"
Weight	5.0 oz (142g)
Color	Off-white
Mounting	Mounting base provided Recommended MAX mounting height: 12ft.
Certifications	UL and cUL listed
Warranty	Five-year limited

Ordering Information

LO	DT		
MODEL	TECHNOLOGY	RELAY / PHOTOCELL OPTION	QTI
LO	dT Dual Technology Ultrasonic and Passive Infrared	RP Relay Photocell Blank No Relay Photocell	QTI Quick to Install Blank No QTI



HUBBELL
Control Solutions