

# 910/911 Series Lampholders for 900/901 Cartridge Lamps

### Overview

The 910 Series relampable lampholders accept any 900 Series cartridge lamp. These lampholders are of ruggedized construction and are supplied with mounting hardware.

### Approvals

UL Recognized.

### Specifications

**Housing and Knurled Ring Nut:** Aluminum. Black anodized finish standard. Clear anodized finish optional. Other finishes available on special request. A mounting wrench, #097013, is available for tightening the knurled ring nuts.

**Hex Nut:** Brass; nickel finish.

**Internal Tooth Lockwasher:** Nickel-plated finish.

**Terminal Insulator:** High dielectric composition.

**Terminals:** Solder cup, turret pin or solder lug.

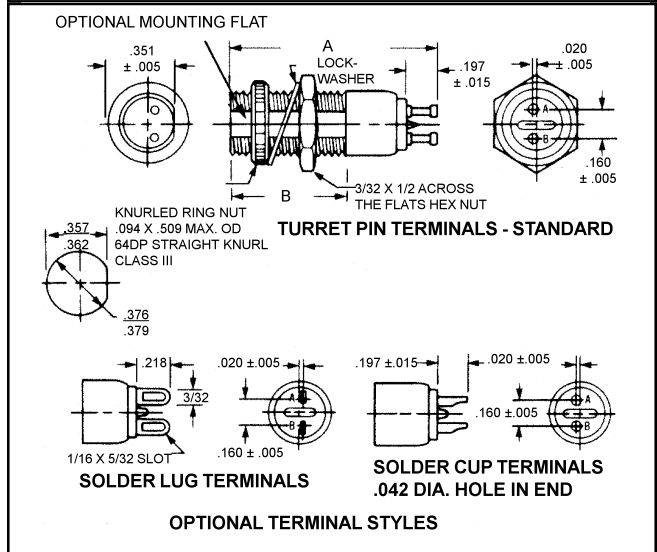
**Socket:** Brass. Bright nickel-plated.

**Lens Cap:** Heat resistant, high strength polycarbonate.

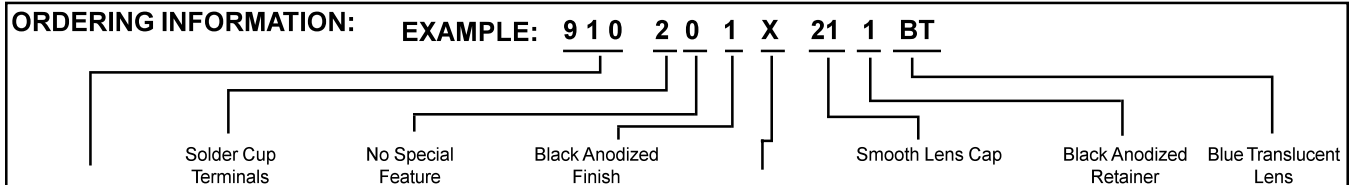
**Lens Marking:** Lens style 21 maybe be stamped.

Contact factory.

**910 Series Maximum Rating:** 3 Watts, 125 Volts.



| Lampholder Body | Dimension in Inches |      |
|-----------------|---------------------|------|
|                 | A                   | B    |
| 910             | 1.203 Max.          | 9/16 |
| 911             | 1.281 Max.          | 5/8  |



| Series Number | Cartridge Lampholders |                   |                             |                 | Lens Caps and Collars                     |                           |   |
|---------------|-----------------------|-------------------|-----------------------------|-----------------|---|---------------------------|---|
|               | Termination           | Features          | Finish                      | Resistor        | Lens Style                                | Retainer Finish           | Lens Color  |
| 910           | 2 Solder Cup          | 0 None            | 1 Black Anodized - Standard | X None Required | 21 Smooth Lens                            | 1 Black Anodized          | Nondiffusing (Clear)  |
|               | 4 Solder Lug          | 1 D Hole Mounting |                             |                 | 27 Fluted Lens (Nondiffusing Colors Only) |                           | AN Amber<br>BN <sup>2</sup> Blue<br>CN Colorless<br>GN <sup>2</sup> Green<br>RN Red<br>WN White (Cloudy)<br>YN Yellow |
|               |                       |                   |                             |                 | 23 <sup>1</sup> Collar                    | 2 Clear (Silver) Anodized |   |
|               |                       |                   |                             |                 | 24 <sup>1</sup> Collar                    |                           |   |

<sup>1</sup> No lens color specified. Use XX in lens color slot. Example: 901-201X-231XX.  
<sup>2</sup> Use with blue or green neon lamps in the 911 series. Not for use with neon cartridge lamps in the 910 series.  
<sup>3</sup> Not recommended for use with neon cartridge lamps.