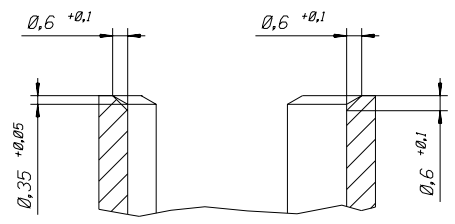
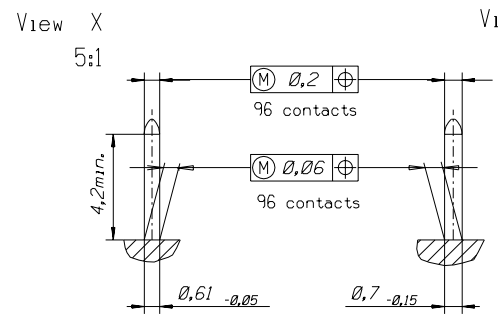
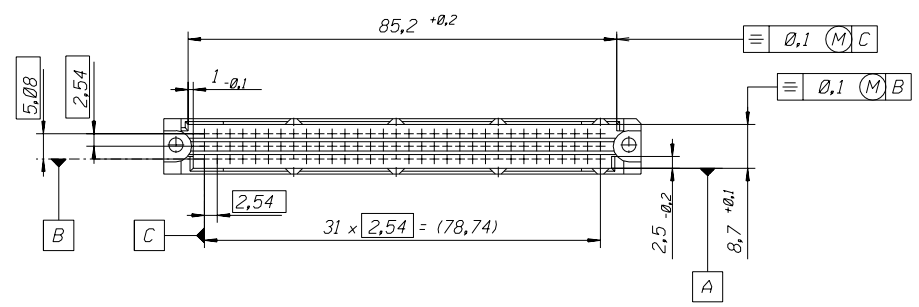
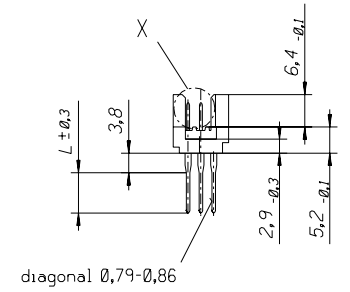
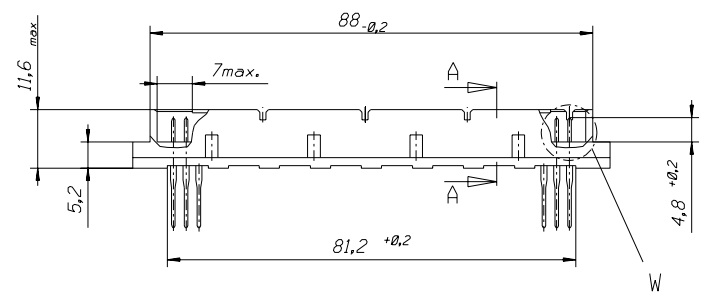
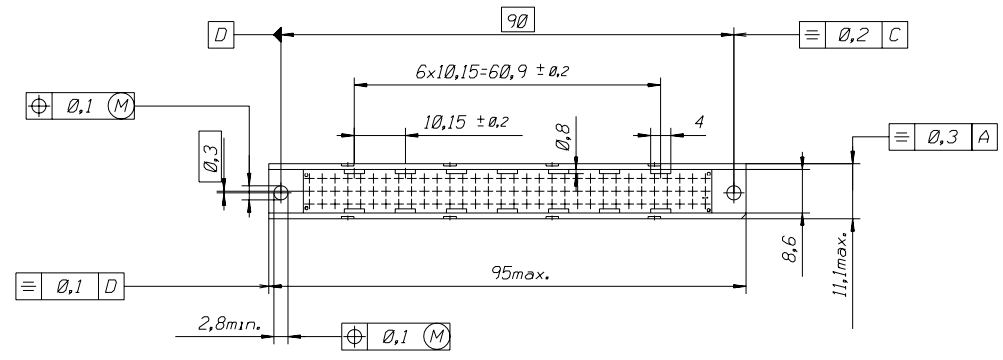


PART NO.
DWG. NO.



section A-A
5:1



View X
5:1

View W
5:1

FIRST ANGLE PROJECTION REVISE ONLY ON CAD SYSTEM SH. REV.

ECN MC2003-0052
WM RELEASE 02-08-15 EF
LTR REVISIONS
FOR PREVIOUS REVISIONS SEE WRL LIST

UNLESS OTHERWISE SPECIFIED TOLERANCES: ANGULAR ±2'		DRWG BY	SIGN
INCH		Ca	
METRIC		CHK'D BY	SIGN
3 PLACE ± .	±	KN	
2 PLACE ± .	±	APP'D BY	SIGN
1 PLACE ± .	±		
DRAFT WHERE APPLICABLE MUST REMAIN WITHIN DIMENSIONS			
DESIGN DIMENSION	<input checked="" type="checkbox"/> MM	SCALE	
	<input type="checkbox"/> IN.	1:1	
EQUIVALENT DIMENSION	<input type="checkbox"/> MM		
	<input type="checkbox"/> IN.		
IF TWO DIMENSIONS ARE SHOWN THE UPPER IS THE DESIGN DIMENSION, LOWER IS SECONDARY			

THIS DRAWING CONTAINS INFORMATION THAT IS PROPRIETARY TO MOLEX INC. & SHOULD NOT BE USED WITHOUT WRITTEN PERMISSION

TITLE
96 pos. Male connector
DIN 41612 style R (C-Pin)
Dimensions

MOLEX EUROPE

PART NO. DWG NO. SHEET NO. DATE
see sh. no. 2 of 3 610-6043-201 1 OF 3 9/11/28

SIZE
B