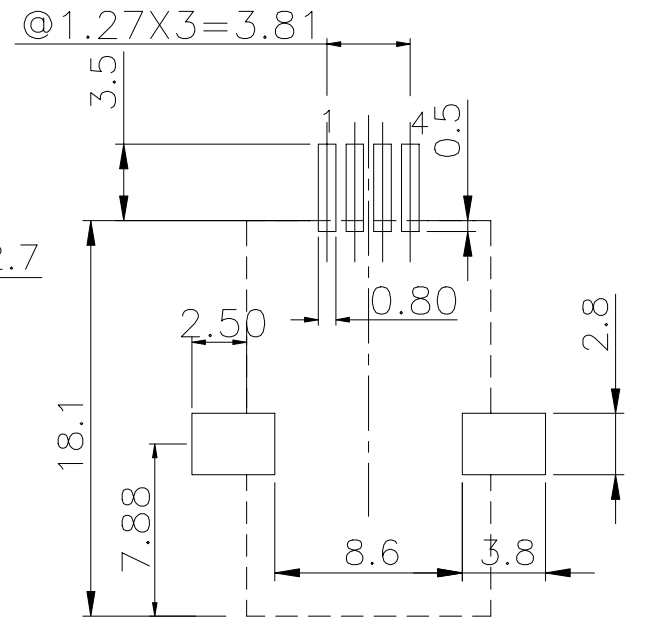
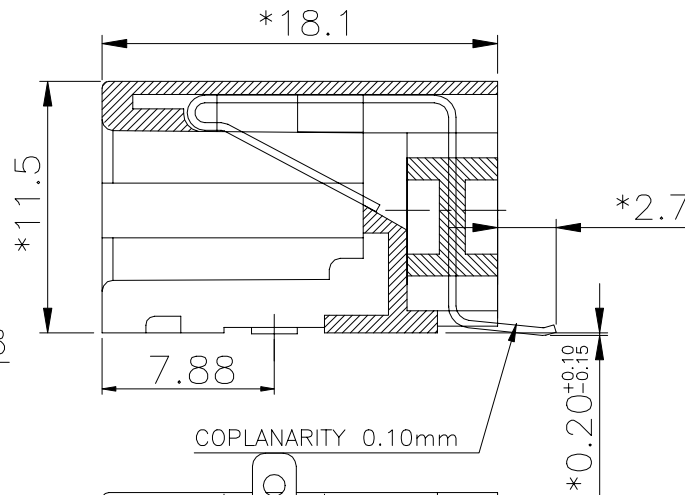
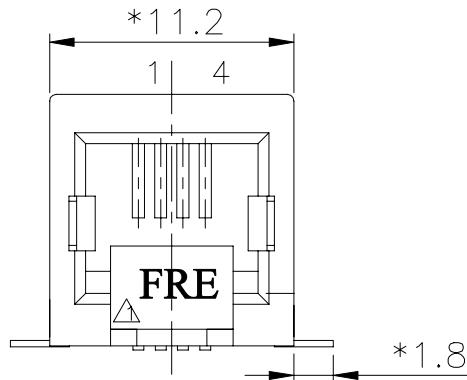


REVISION RECORD				
REV	ECO	DESCRIPTION	DRFT	CHKD
△		MODIFY DRAWING DIM	ANKUE	
			08/08/06	



PC Board Layout Component Side Shown

NOTES:

ELECTRICAL:

- VOLTAGE RATING : 125 VAC RMS.
- CURRENT RATING : 1.5 AMP.
- CONTACT RESISTANCE : 35 MILLIOHMS MAX.
- INSULATION RESISTANCE: 1000 MEGOHMS MIN @ 500 VDC.
- DIELECTRIC STRENGTH : 1000 VAC RMS 60Hz, 1MIN.

MECHANICAL:

- HOUSING MATERIAL : NYLON+GF30% UL94V-0./COLOR:BLACK
- CONTACT MATERIAL : PHOSPHOR BRONZE t=0.35mm.
- PLATING : GOLD PLATING OVER NICKEL.
- OPERATING LIFE : 750 CYCLES MIN.
- PCB RETENTION POST-SOLDER: 10 LBS MIN.

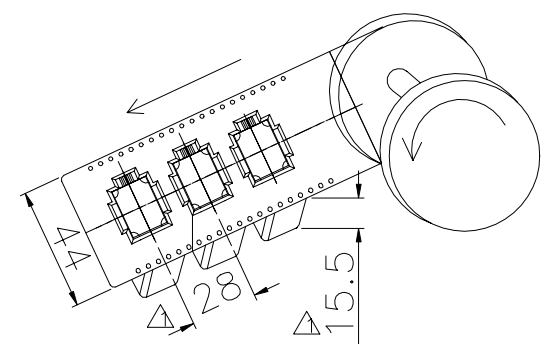
ENVIRONMENTAL:

- STORAGE : -40°C TO +85°C.
- OPERATION: -40°C TO +85°C.
- IR REFLOW PEAK SOLDERING TEMPERATURE: 255°C TO 265°C 5-10 SECONDS.
- RoHS COMPLIANT.

MATES WITH MODULAR PLUG CONFORMING TO FCC PART 68, SUBPART F.

ROHS PART NUMBER: E5344-HX05YX-L

- 1- 3U"
- 3- 15U"
- 5- 50U"
- T- W/ FRE LOGO
- H- W/O LOGO



DETACHED LISTS	MM (INCH)	DFTO CARROL	DATE 11/10/05
	TOLERANCES EXCEPT AS NOTED	CHKD ASHELLY	DATE 2006/8/8
		MFO	DATE
		APPVL LUSHENG	DATE 2006/8/8
	MM	MATERIAL :	
	.0 ± 0.2	QT'Y :	
	.00 ± 0.15	FINISH :	
	.000 ± 0.075	SCALE :	
	ANGLES ± 0.5	THIRD ANGLE PROJECTION	

		RoHS Compliant	
FULL RISE ELECTRONIC CO., LTD			
TITLE SIDE ENTRY PCB JACK(SMT)4P			
DRAWING NO. GE533057-LA		SIZE A3	REV 1
/PART NO. SEE NOTE		DO NOT SCALE DRAWING	
SHEET 1		OF 1	