

CXA-P1612-VJL

Dimming/Connector Type

■ Features

- 2-output
- Applicable panel size*: 10 to 15 inches
- With brightness control function (Pulse Wide Modulation mode).
- In the high-voltage generator(a terminal and a pattern), an anti-dust measure by silicone application is taken.
(Notice) Applicable panel size becomes a standard.

■ Applications



CXA-P1612-VJL Specifications (Please refer to each specification before use)

Electrical Characteristics

Item	Unit	Symbol	Specification			Condition					Remark
			min	typ	max	V _{in} (V)	V _{rmt} (V)	V _{br} (V)	T _a (°C)	R _L (kΩ)	
Output Current	mA _{rms}	I _{out} (Maximum dimmer)	7.2	8.0	8.8	12±1.2	5	0	0 to +60	70	(*1)
		I _{out} (Maximum dimmer)	3.5	4.0	4.5	12±0.05	5	2	0 to +60	70	(*1)
Input Current	A	I _{in}	-	1.0	1.4	12±0.05	5	0	0 to +60	70	
Frequency	kHz	Freq1	50	55	60	12±0.05	5	0	0 to +60	70	
	Hz	Freq2(Duty frequency)	225	270	335	12±0.05	5	2	0 to +60	70	
Open Circuit Voltage	V _{rms}	V _{open}	1500	1600	-	10.8min.	5	0	0 to +60	∞	Open load

(*1) Please refer to the connection diagram for details of a dimming method.

Other Specifications

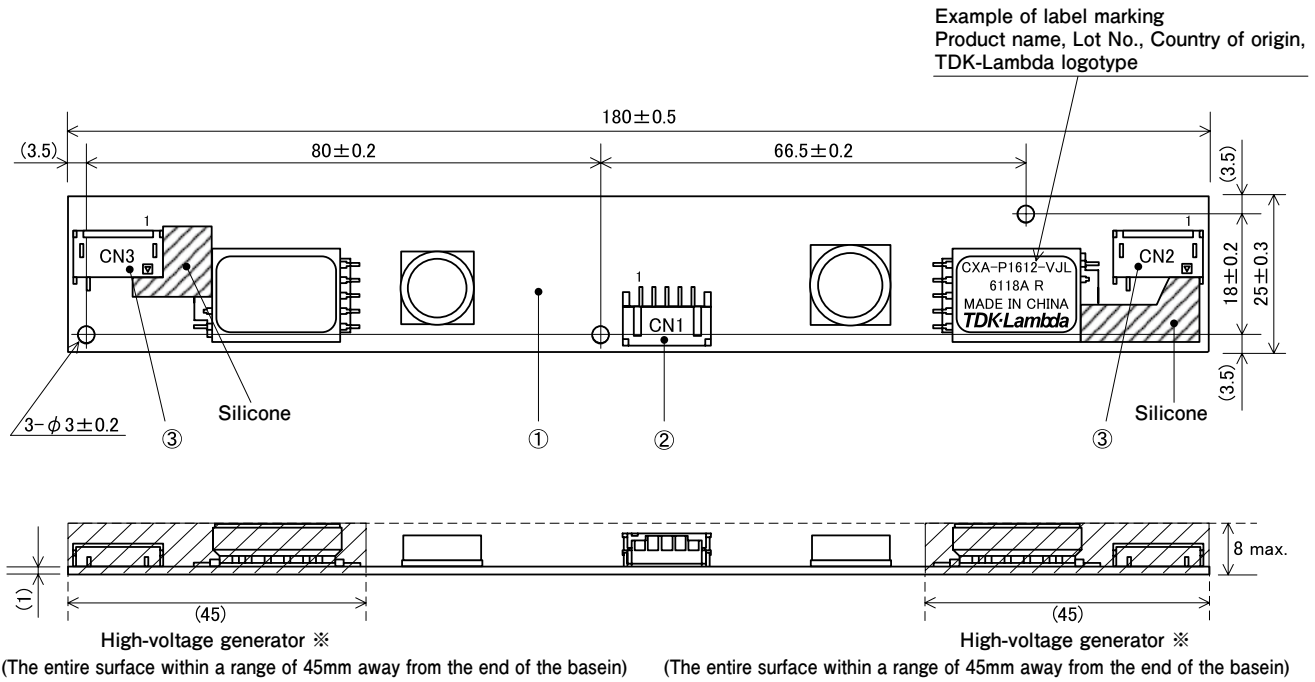
Dimming Function		Yes
Operating Temperature	°C	0 to +60
Storage Temperature	°C	-30 to +85
Operating Humidity Ratio	RH%	95Max
Safety Standard		-
Weight	g	29.6
Dimensions(WxDxH)	mm	180x25x8 (*2)
Fused Input		Yes
Remote ON / OFF		Yes
Alarm Signal Function		No
Shutdown Function		No
Silicone Coating on High Voltage Area		Yes

(*2) These dimensions are indicated the maximum only H. Others are typical values.

■ Conformity to RoHs Directive

This means that, in conformity with EU Directive 2002/95/EC, lead, cadmium, mercury, hexavalent chromium, and specific bromine-based flame retardants, PBB and PBDE, have not been used, except for exempted applications.

Outline Drawing



※From high-voltage generator, please secure space distance more than 3mm in top and bottom right and left.

unit:mm

Connector

Connector number	Part number	Model/Material	Quantity	Remarks	Recommended applicable connector
①	Printed circuit board PCB	Composite (CEM-3)	1	UL94V-0 t=1.0	—
②	Input connector CN1	S5B-PH-SM4-TB (LF)(SN)	1	JST Mfg. Co., Ltd.	PHR-5
③	Output connector CN2, CN3	SMO2 (8.0) B-BHS-1-TB (LF)(SN)	2	JST Mfg. Co., Ltd.	BHR-03VS-1

Terminal Numbers And Functions

Input side CN1

Terminal number	Symbol	Rated voltage	Remarks
CN1-1	V _{in}	12±1.2V	Power input
CN1-2	GND	0V	Ground
CN1-3	V _{br}	0 to 2V	Dimmer terminal
CN1-4	N.C.	—	—
CN1-5	V _{rmt}	0/2.5V to V _{in}	Remote terminal 0 to 0.4V : OFF 2.5 to V _{in} V : ON

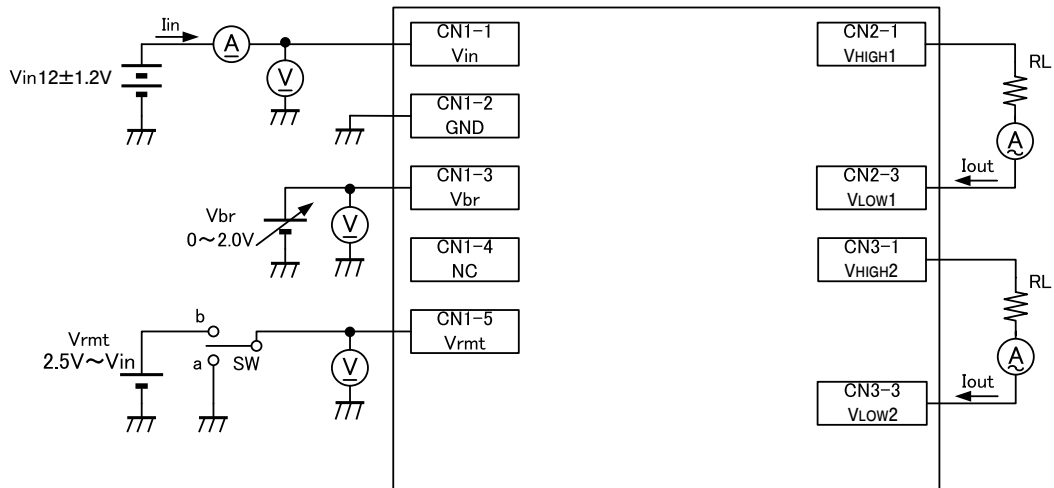
Output side CN2

Terminal number	Symbol	Rated voltage	Remarks
CN2-1	V _{HIGH1}	560Vrms	Output 1
CN2-2	N.C.	—	N.C.
CN2-3	V _{LOW1}	(2V)	Output 1 return

Output side CN3

Terminal number	Symbol	Rated voltage	Remarks
CN3-1	V _{HIGH2}	560Vrms	Output 2
CN3-2	N.C.	—	N.C.
CN3-3	V _{LOW2}	(2V)	Output 2 return

Connections



RL : Load resistance (7W minimum)

Operate as follows by switching a SW.

SW		Unit operation
a	0-0.8V	Operation stopped
b	2.5-14.4V	Operation