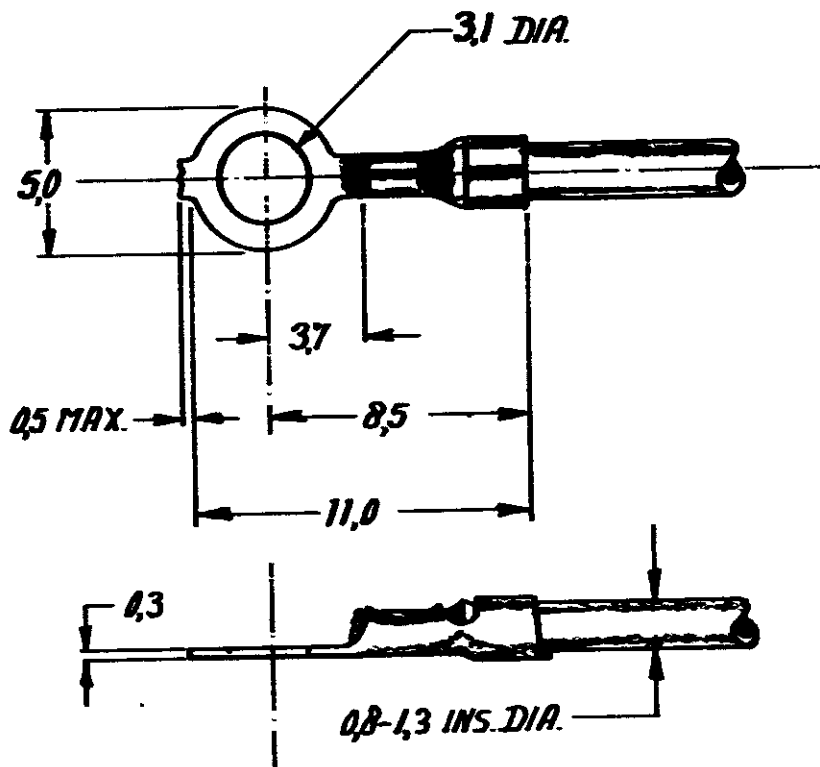


NUMBER
C-160562-E

DIMENSIONS IN MM — DO NOT SCALE PRINT



ORDER NO:	MATERIAL:	FINISH:
160562-1	BRASS	NONE
160562-2	BRASS	PRETAPED

NOTE: 1 REELED WITH PAPER LAYER.

CUSTOMER PRINT FOR REFERENCE ONLY	REQUIRED PER ASSEMBLY										OWG SIZE	NUMBER	NAME	REMARKS	ITEM NO.
	-9	-8	-7	-6	-5	-4	-3	-2	-1						
© 1965 BY AMP HOLLAND N.V. ALL RIGHTS RESERVED. AMP PRODUCTS COVERED BY PATENTS AND CR PATENTS PENDING												SEE TABLE		SEE TABLE	
											AMP	DR. R. DHONDT	DATE APP. 27-8-65	DATE REL. 2/16/66	DATE
											AMP-HOLLAND N.V.	TYPE AM	PRINT. D. ST. CON. SIZE NUMBER	HA C-160562-E	REV B
											5-HERTOGENBOSCH HOLLAND	SCALE 4:1	WIRE SIZE 005-015	CMA	NAME RINGTONGUE WITH INS. SUPPORT.
DESCRIPTION															