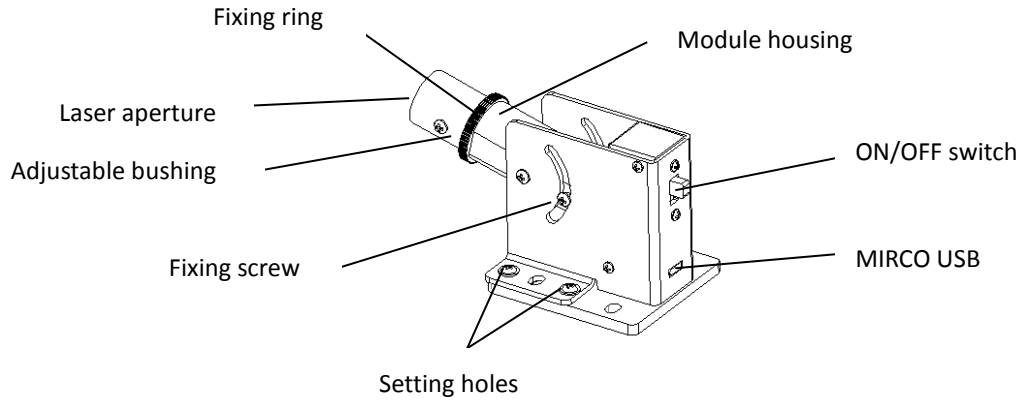


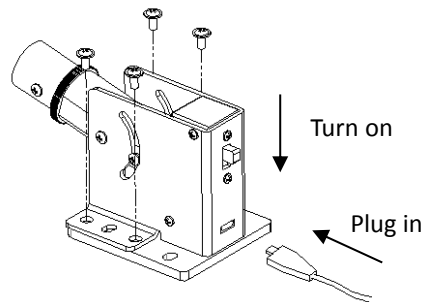
ML-200G INSTRUCTIONS

OPERATION FUNCTIONS

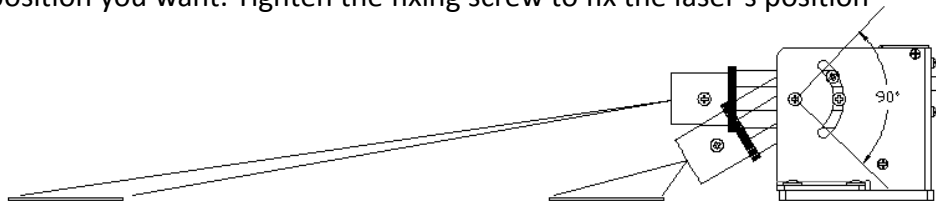


OPERATION THE ML-200

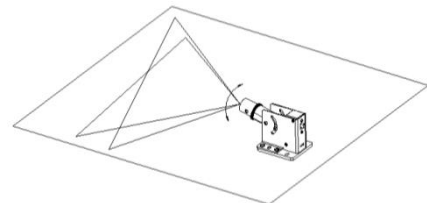
1. Attach the ML-200 to the cutting machine with four provided M4 screws
2. Plug in the ML-200 with the USB adaptor
3. Turn on the ON/OFF switch



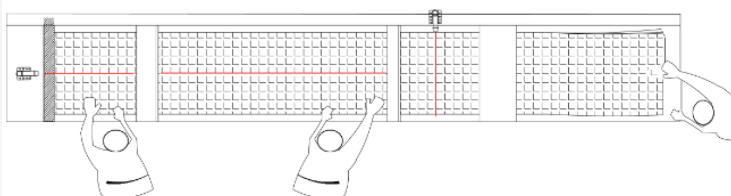
4. Loose the fixing screw gently and adjust the module housing to project the laser line into position you want. Tighten the fixing screw to fix the laser's position

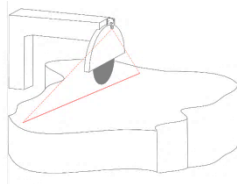


5. Loose the fixing ring. Rotate the adjustable bushing to find the angle you want. Tighten the fixing ring to fix the laser line's angle
6. Cut the stuff along the laser line

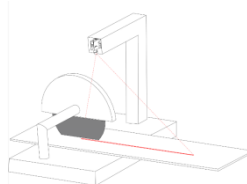


APPLICATIONS

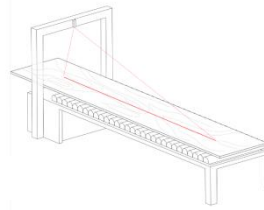




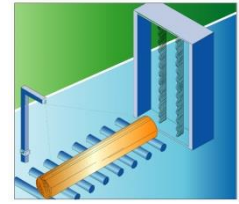
Stone cutting



Wood cutting



Wood cutting



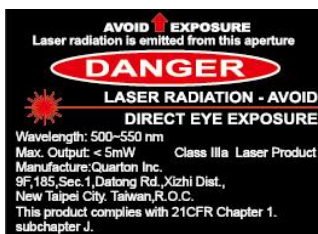
Wood cutting

SPECIFICATIONS

Dimension(L X W X H)	4.88"X2.13"X2.32"(10.1cm X 5.4cm X 5.9cm)
Weight	9.80oz (280g)
Wavelength	520nm
Output power	Class III a CW mode
Width of laser line	<3mm at 5M
Operating temp range	-4 ° F ~ 140 ° F (-20 ° C ~ +60 ° C)
Mean time to failure	10,000 hours
Emitting angle	>120 °
Housing	Metal
Finishing	Black anodized
Power	DC Adaptor 5~6V,>0.5A

WARNING

Use of controls of adjustment or performance of procedures other than those specified herein may result in hazardous radiation exposure



SAFETY PRECAUTIONS

Laser radiation is harmful to the eyes, never look directly into the laser beam or its direct reflection

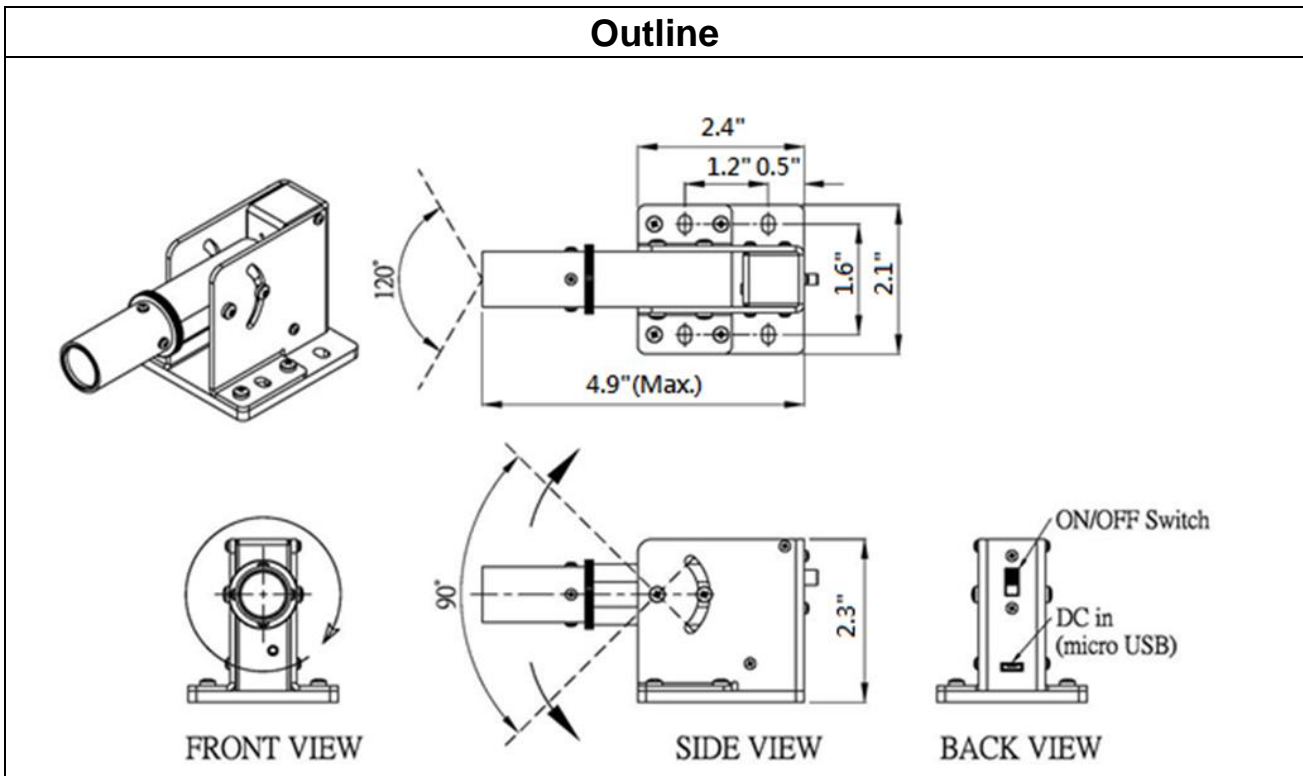
1. Never aim the laser beam at persons' eyes
2. This unit must be used by experienced technical personnel only
Do not leave the laser beam unattended
3. Do not target vehicles or aircraft with the laser beam when the unit is used outdoors
4. Do not look directly into laser beam with optical instrumentation unless adequate protective filters are used to protect the eyes.
5. Avoid aiming the laser beam at mirror- likes surfaces. Remove any unnecessary mirror-likes surface from the vicinity of the laser beam path.
6. The warranty will no longer exist once the product been taken apart.

INFINITER®

VLM-520-ML-200G

OUTLINE DIMENSIONS

Outline



SPECIFICATIONS

SPECIFICATIONS		520-ML200G
1	Dimensions(L*W*H)	4.88"x2.13"x2.32"(12.4 x5.4 x5.9 mm)
2	Weight	10oz.
3	Output power	Class IIIa CW mode
4	Wavelength	520nm
5	Width of laser line	< 0.12"(3mm)@196.9"(5m)
6	Operating temp. range	-20°C ~+60°C
7	Emitting angle	> 120°
8	Housing	Metal
9	Finishing	Black anodized
10	Power	Micro USB(Adapter included)