

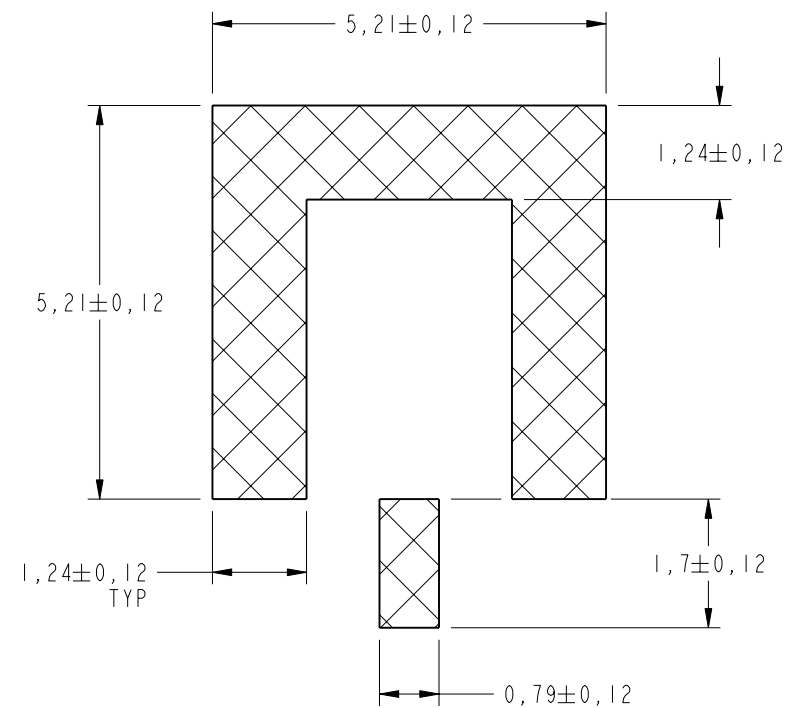
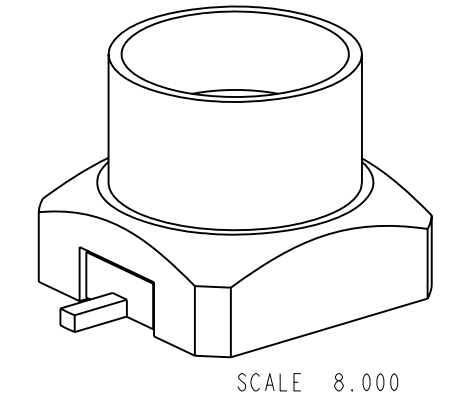
NOTES:

1. MATERIALS AND FINISHES:
 - BODY - BRASS, GOLD PLATING, .000030"[0.8um]
 - CONTACT - BRASS, GOLD PLATING, .000030"[0.8um]
 - INSULATOR - LCP C 150
2. ELECTRICAL:
 - A. IMPEDANCE: 50 OHM
 - B. FREQUENCY RANGE: DC - 18 GHz
 - C. VSWR(RETURN LOSS): 1.10 (26.4 dB), MAX. DC-6GHz
1.15 (23.1 dB), MAX. 6-10GHz
1.30 (17.7 dB), MAX. 10-18GHz
 - D. DIELECTRIC WITHSTANDING VOLTAGE: 335 VRMS, MIN.
3. PHYSICAL:
 - A. DURABILITY: 500 CYCLES MIN.
 - B. ENGAGEMENT FORCE: 2 LB [9 N] MAX
 - C. DISENGAGEMENT FORCE: .5 LB [2.2 N] MIN
 - D. INNER CONTACT RETENTION FORCE: 1.5 LB [7 N] MIN
 - E. TEMPERATURE RANGE: -65° C TO 165° C
4. PACKAGING:
 - A. PACKAGE CONNECTOR AS PER ROUTING INSTRUCTIONS.
 - B. MARK BAG OR TAG "SMP-MSSB-PCS YYWW"

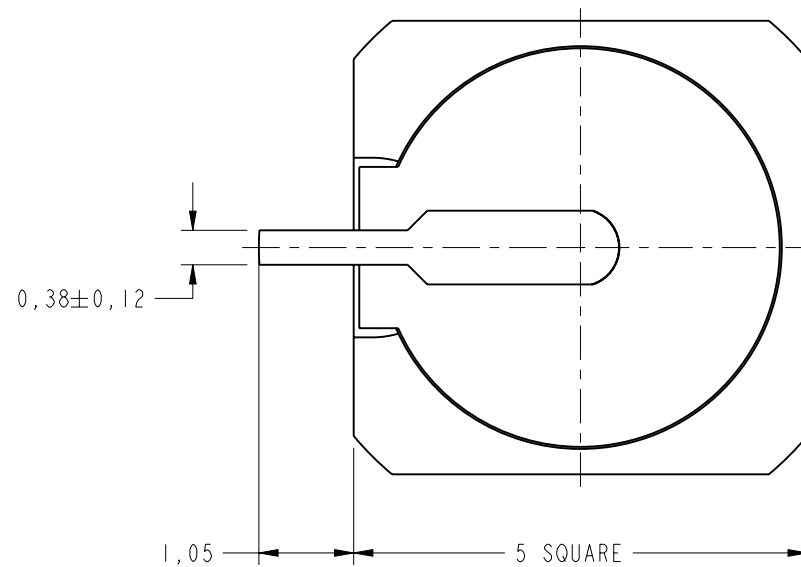
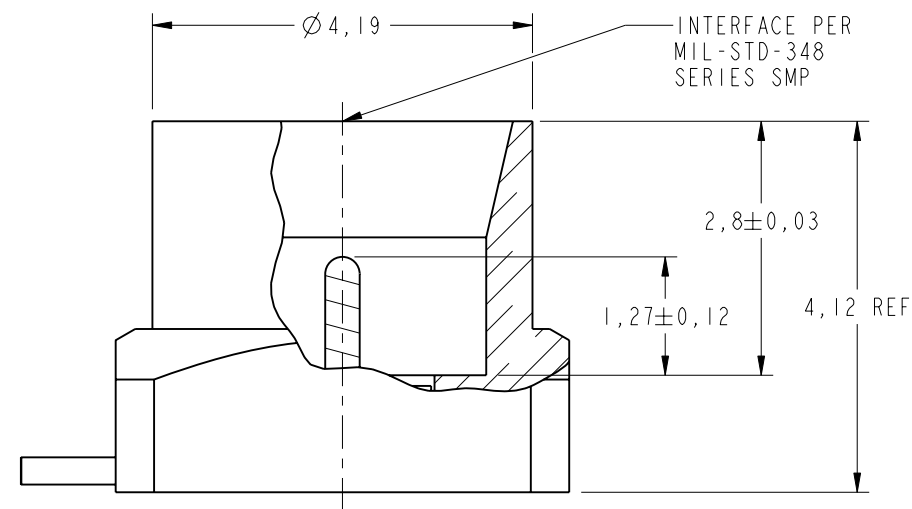
THIRD ANGLE PROJ.

REVISIONS

REV	DESCRIPTION	DATE	ECO	APPR
A	RELEASE TO MFG	3/2/05	45426	MAH
B	940-10020 WAS NS00AYT02A\RD-DM07062901C	07-04-07'		CW
C	SYNCH THE DRAWING WITH DANBURY\RD-DM11031401R3	29-Mar-11	48488	RM
D	1.27±0.12 WAS 1.31±0.12\RD-DM13091001J8	24-Sep-13	49741	MD



RECOMMENDED PCB FOOTPRINT
SCALE 10.000



CUSTOMER OUTLINE DRAWING

ALL OTHER SHEETS ARE FOR INTERNAL USE ONLY

UNLESS OTHERWISE SPECIFIED, DIMENSIONS ARE IN METRIC AND TOLERANCES ARE: <0.5mm ±0.05mm 0.5 - 6mm ±0.1mm 6 - 30mm ±0.2mm 30 - 120mm ±0.3mm ANGLES ±1°	MATERIAL	DRAWN J. CHEN	DATE 24-Sep-13	TITLE SMP MALE SMT PCB RECEPTACLE SMOOTH BORE	Amphenol RF Danbury CT USA, Tainan, Taiwan, Shenzhen, China www.amphenolrf.com	
		ENGINEER H. PARIKH	DATE 20-Apr-01			
NOTICE - These drawings, specifications, or other data (1) are, and remain the property of Amphenol corp. (2) must be returned upon request; and (3) are confidential and not to be disclosed to any person other than those to whom they are given by Amphenol Corp. the furnishing of these drawings, specifications, or other data by Amphenol Corp., or to any other person to anyone for any purpose is not to be regarded by implication or otherwise in any manner licensing, granting rights to permitting such holder or any other person to manufacture, use or sell any product, process or design, patented or otherwise, that may in any way be related to or disclosed by said drawings, specifications, or other data.	REFERENCE GEN# ASSYM7_SMP EAR# 615X-1782 PREVIOUSLY SMP-MSSB-PCS-1	APPROVED S. HSIEH	DATE 27-Sep-13	SCALE: 12.0:1.0 SHEET 2 OF 2	DRAWING NO. SMP-MSSB-PCS	
	FINISH	CAD FILE		DWG SIZE B	REV D	ITEM NO. SMP-MSSB-PCS
						PART NO. SMP-MSSB-PCS