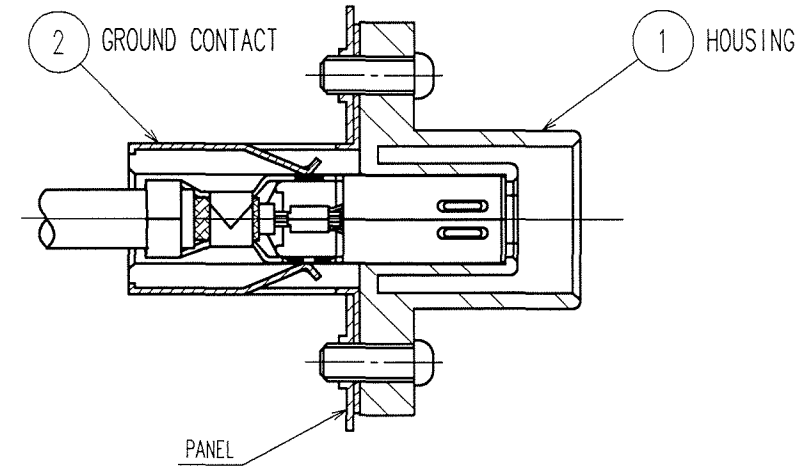
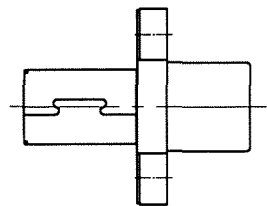
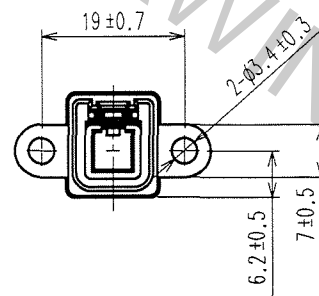
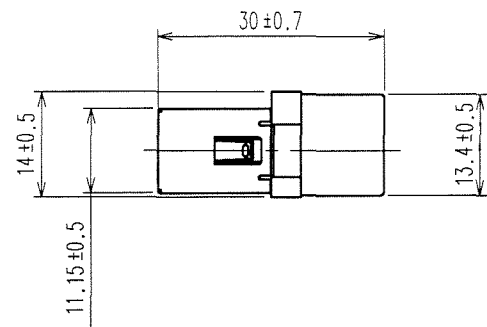
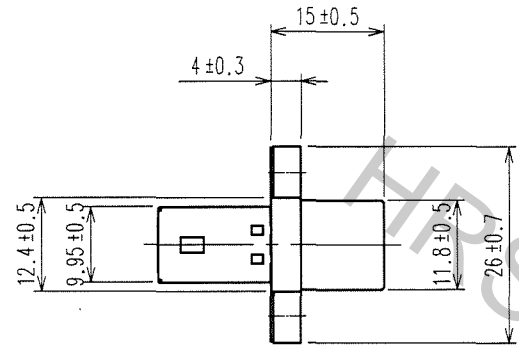


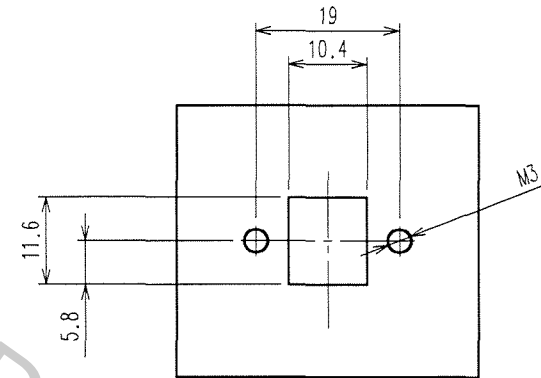
Apr.1.2017 Copyright 2017 HIROSE ELECTRIC CO., LTD. All Rights Reserved.

ELV. RoHS COMPLIANT

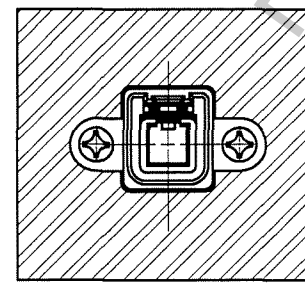
COUNT	DESCRIPTION OF REVISIONS	BY	CHKD	DATE	COUNT	DESCRIPTION OF REVISIONS	BY	CHKD	DATE
△					△				
△					△				
△					△				



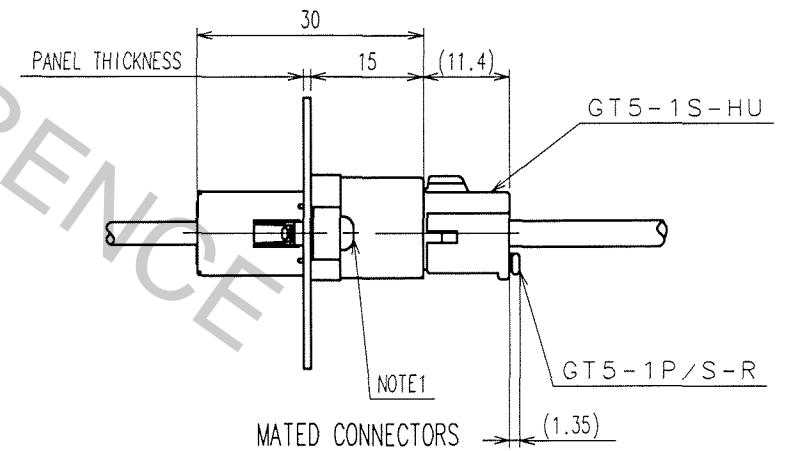
CUT SECTION INSERTED CONTACT (2 : 1)



RECOMMENDED PANEL CUT OUT



FIXED CONNECTOR ON THE PANEL



MATED CONNECTORS

NOTE1. FIXING SCREWS ISO7045,1580 SHALL BE FOR THIS PRODUCT.

1	PBT		2	BRASS	TIN PLATED, T=0.4				
NO.	MATERIAL	FINISH, REMARKS	NO.	MATERIAL	FINISH, REMARKS				
CODE NO. (OLD)			DRAWN	DESIGNED	CHECKED	APPROVED	RELEASED		
			S.KURIYA '06.12.28	N.NAKATA '94.3.1	K. Sato '06.12.28	K. Sato '06.12.28			
DRAWING NO. EDC3-165060-01			PART NO. GT5A-1PP-HU(70)						
SCALE 1 : 1			CODE NO. CL755-0025-7-70			1/1			
UNITS mm			HRS HIROSE ELECTRIC CO., LTD						

TO