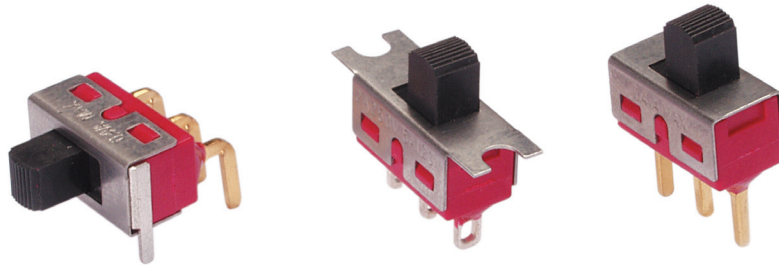


## SERIES 48A Slide Switches

### FEATURES

- Save Space and Weight
- SPDT and DPDT Circuitry
- Choice of Actuations and Terminations



### MODELS in inches (and millimeters)

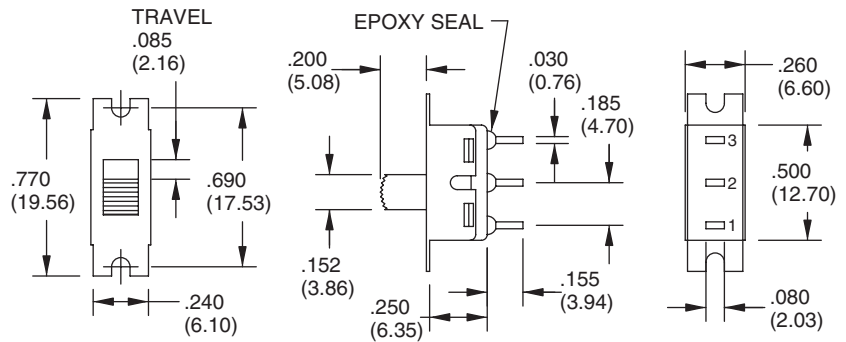
#### SPDT

MODEL NO.	SWITCH POSITION		
SSP1	ON	NONE	ON
SSP2	ON	NONE	(ON)
SSP3	ON	OFF	ON
TERM. COMM.	2-1	OPEN	2-3

( )=MOMENTARY

02COMM.

SCHEMATIC 1 ● ● 3



#### DPDT

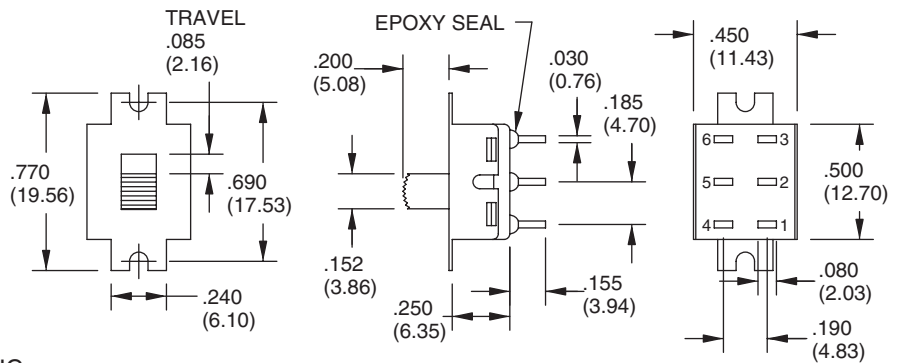
MODEL NO.	SWITCH POSITION		
SDP1	ON	NONE	ON
SDP3	ON	OFF	ON
TERM. COMM.	2-1,5-4	OPEN	2-3,5-6

( )=MOMENTARY

02COMM.

05COMM.

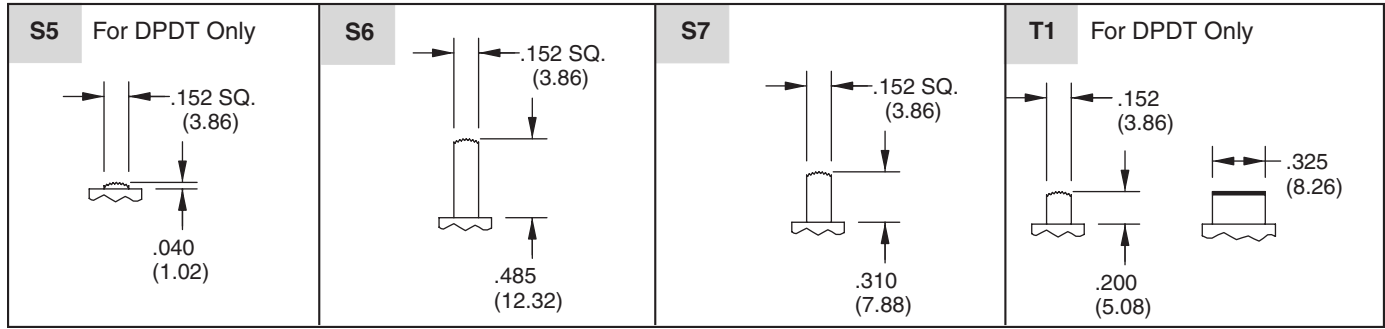
SCHEMATIC 1 ● ● 3 4 ● ● 6



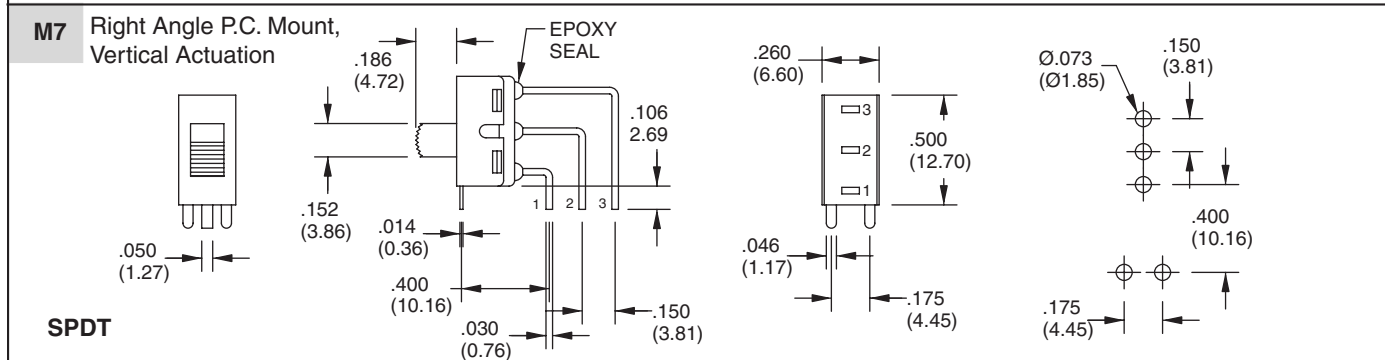
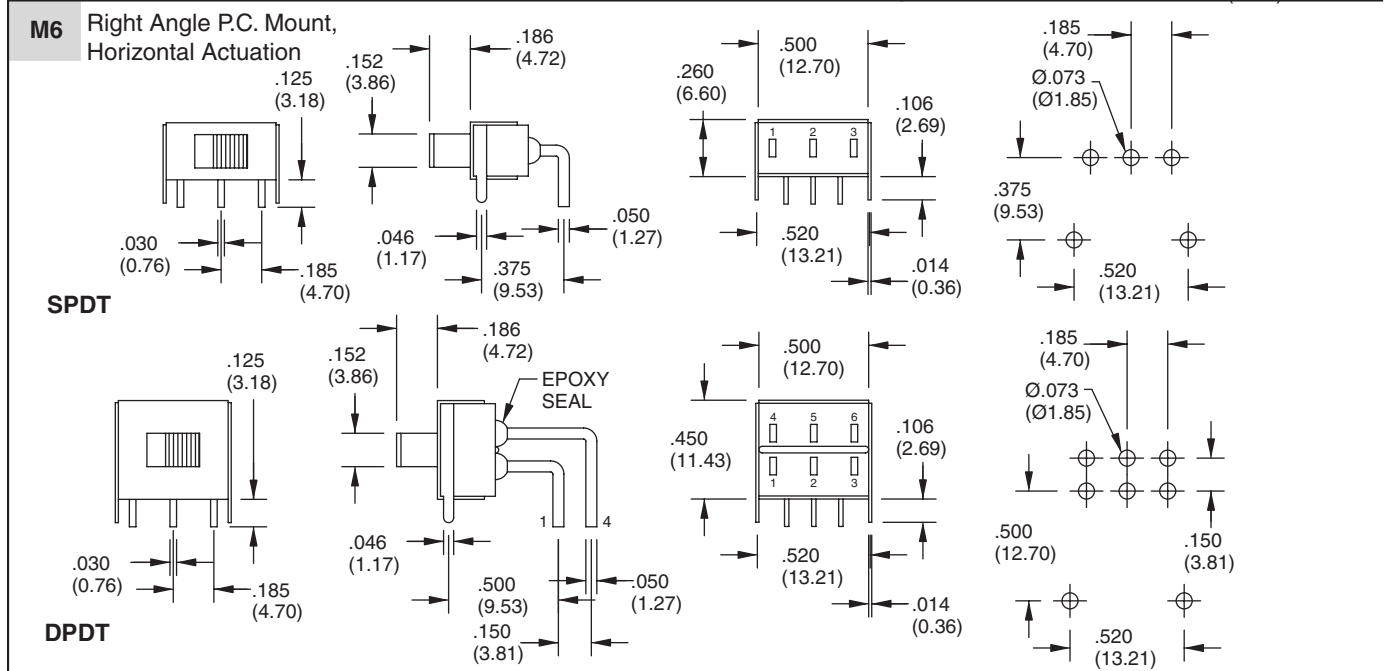
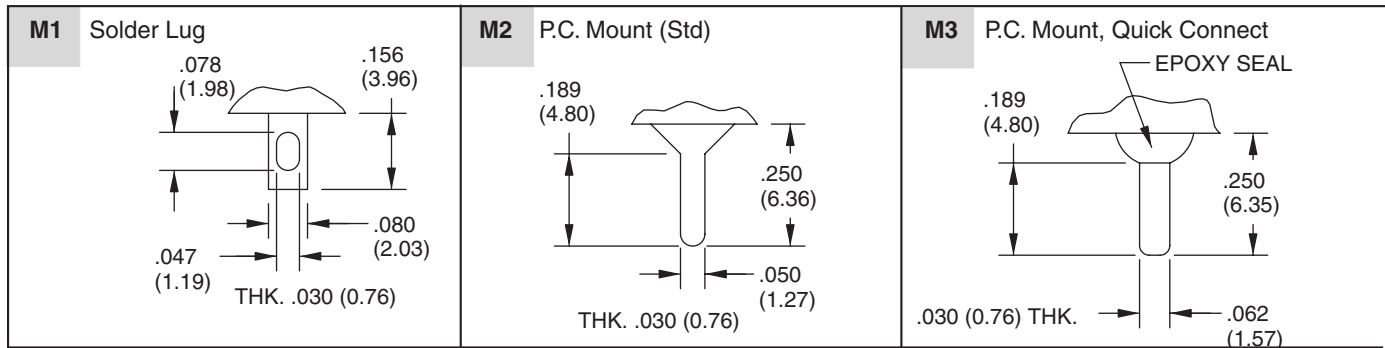
### ACTUATOR OPTIONS in inches (and millimeters)

S1	Std	S2	S3	S4
	.152 SQ. (3.86)	.152 SQ. (3.86)	.152 SQ. (3.86)	.152 SQ. (3.86)
	.200 (5.08)	.285 (7.24)	.370 (9.40)	.140 (3.56)

**ACTUATOR OPTIONS** in inches (and millimeters)

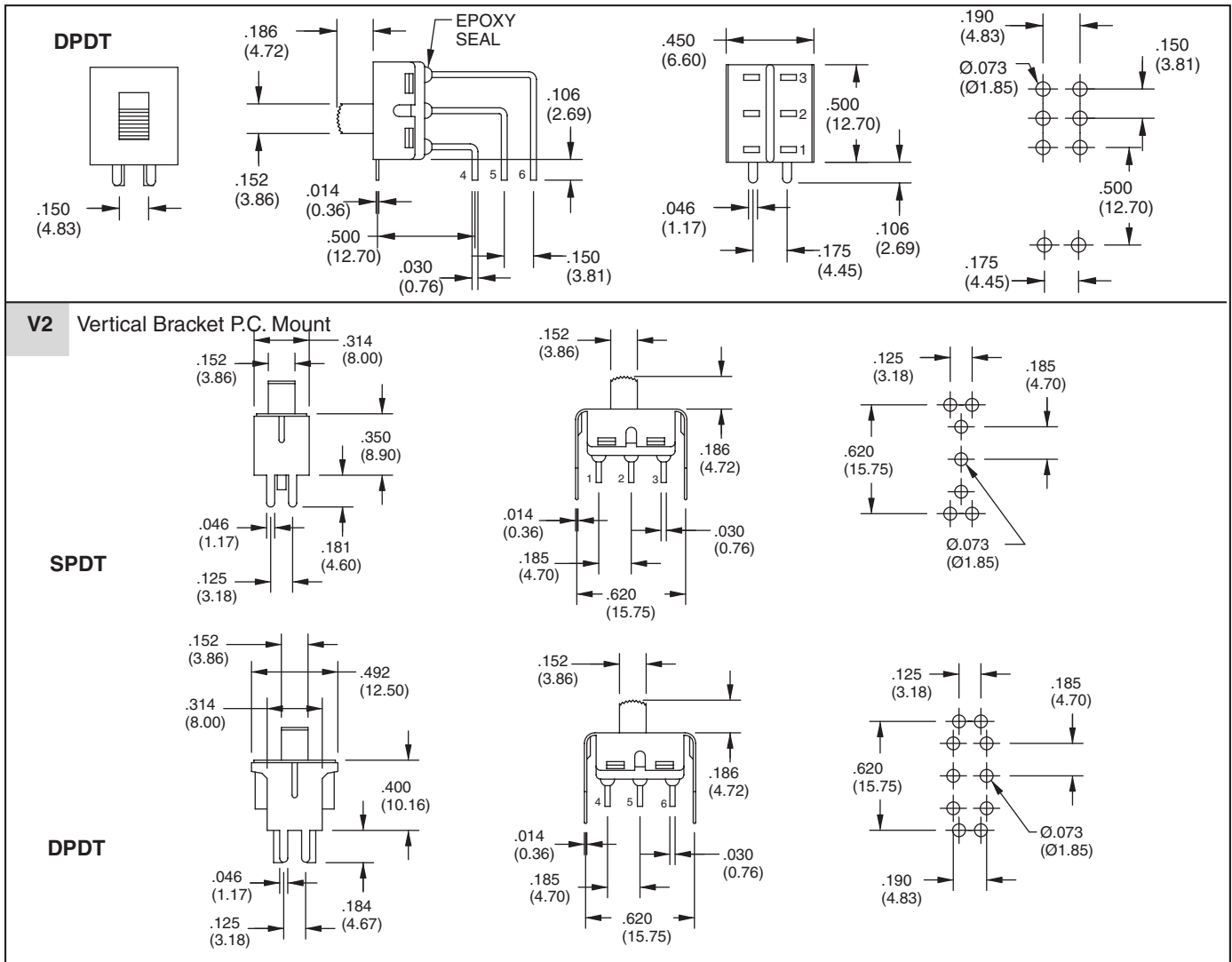


**TERMINATION OPTIONS** in inches (and millimeters)



Slide Switches

**TERMINATION OPTIONS** in inches (and millimeters)



**SPECIFICATIONS**

**RATINGS**

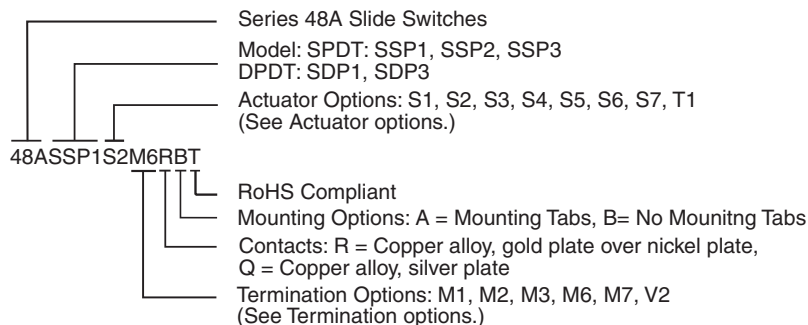
**Contact Rating:** Q option - 5A with resistive load @ 125 VAC or 28 VDC; 2A with resistive load @ 250 VAC. R option - 0.4 VA max @ 20 Vmax (AC or DC)  
**Electrical Life:** 30,000 cycles at full load

**Contact Resistance:** 10 milliohms max. initial @ 2-4 VDC, 100 mA  
**Insulation Resistance:** 1,000 megaohms min  
**Dielectric Strength:** 1,000 V RMS @ sea level  
**Operating Temperature:** -30°C to 85°C

**MATERIALS**

**Case:** Diallyl phthalate (DAP) (UL94V-0)  
**Housing:** Stainless steel  
**Slide Handle:** Nylon  
**Terminal/Contacts:** Copper alloy with gold over silver plate.  
**Terminal Seal:** Epoxy

**ORDERING INFORMATION**



Available from your local Grayhill Component Distributor. For prices and discounts, contact a local Sales Office, an authorized local Distributor or Grayhill.