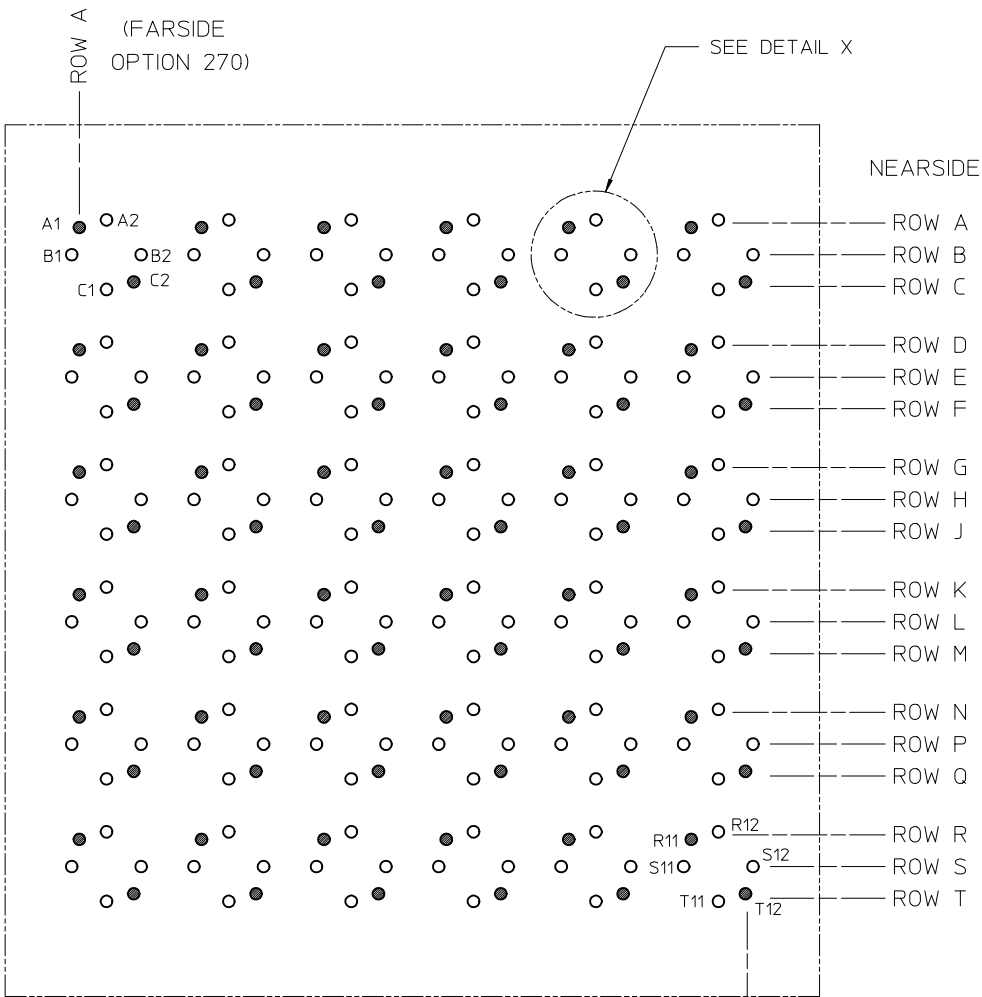


- NOTES:
1. MATERIALS: HOUSING - LIQUID CRYSTAL POLYMER (LCP) GLASS-FILLED, UL94V-0
TERMINALS - HIGH PERFORMANCE COPPER ALLOY
 2. FINISH: 30μ MIN GOLD IN CONTACT AREA.
SELECTIVE TIN OR TIN-LEAD ON PCB TAILS.
NICKEL OVERALL.
 3. REFER TO MOLEX PRODUCT SPECIFICATION PS-76060-999 FOR PERFORMANCE SPECIFICATIONS AND ADDITIONAL PCB INFORMATION.
 4. THIS PART CONFORMS TO CLASS B REQUIREMENTS OF COSMETIC SPEC PS-45499-002.
 5. PRODUCT IS PACKAGED PER PK-70873-7708.
 6. SEE SHEETS 2 THRU 4 FOR PART NUMBERS AND ORTHOGONAL PIN MAPPING.
 7. REFER TO MOLEX SALES DRAWING SD-76290-001 FOR THE MATING RECEPTACLES.
 8. REFER TO MOLEX ROUTING GUIDE AS-76850-990 FOR ADDITIONAL PCB LAYOUT AND ROUTING RECOMMENDATIONS.
 - 9.*THESE DIMENSIONS REPRESENT THE AREA NEEDED TO ACCOMODATE CONNECTOR INSERTION AND REPAIR ON THE PC BOARD. THIS DOES NOT REPRESENT THE ACTUAL PERIMETER OF THE CONNECTOR.*

UPDATED VIEWS EC NO: UCP2014-2698 DRAWN: RIZ/101 2013/04/02 CHKD: APPR: TELO 2015/03/24 REV:	QUALITY SYMBOLS	GENERAL TOLERANCES (UNLESS SPECIFIED)	DIMENSION STYLE MM ONLY	SCALE 4:1	DESIGN UNITS METRIC	THIRD ANGLE PROJECTION
	▽=0	mm INCH	DRAWN BY DATE JLAURX 4/20/09	TITLE	IMPACT 6 PAIR HEADER ORTHOGONAL ASSEMBLY UNGUIDED SALES DRAWING molex	DOCUMENT NO. SD-76285-001 SHEET NO. 1 OF 4
	▽=0	4 PLACES ± --- ± ---	CHECKED BY DATE JMENDOZA 2010/01/13			
	▽=0	3 PLACES ± --- ± ---	APPROVED BY DATE JB INGHAM 2010/01/14			
	2 PLACES ± 0.13 ± ---					
	1 PLACE ± 0.25 ± ---	0 PLACE ± ±				
	ANGULAR ±1/2°	DRAFT WHERE APPLICABLE MUST REMAIN WITHIN DIMENSIONS	MATERIAL NO. SEE CHART			
			SIZE C	THIS DRAWING CONTAINS INFORMATION THAT IS PROPRIETARY TO MOLEX INCORPORATED AND SHOULD NOT BE USED WITHOUT WRITTEN PERMISSION		



MIDPLANE PCB LAYOUT
SCALE 8:1

(FARSIDE OPTION 90)

MATERIAL NUMBER	# OF COLUMNS	# OF DIFF PAIR	DIM A	DIM B	DIM C
76285-*10*	10	60	20.1	18.10	18.50
76285-*12*	10	60	22.9	18.10	18.50
76285-*20*	12	72	24.2	22.15	22.55
76285-*22*	12	72	27.0	22.15	22.55

76285-***

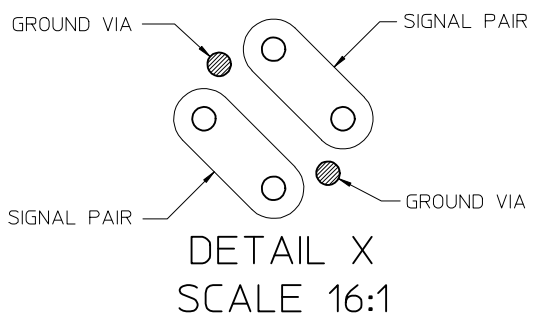
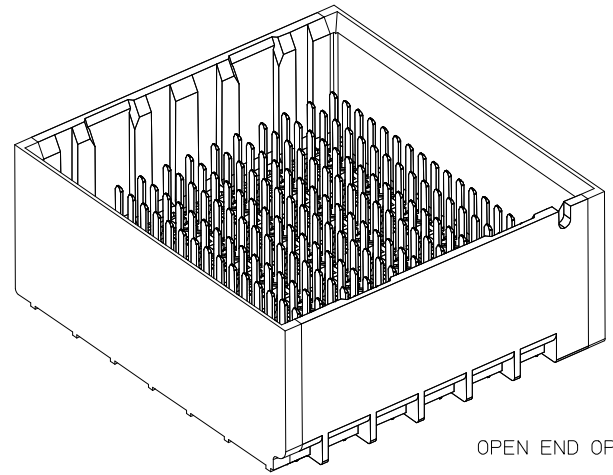
MODULE & TAIL PLATING TYPE

0 = UNGUIDED, TIN/LEAD
1 = UNGUIDED, TIN

OF COLUMNS
1 = 10 COLUMNS
2 = 12 COLUMNS

PIN LENGTH (P)
4 = 4.90 (0.46 PTH)
5 = 5.50 (0.46 PTH)
7 = 4.90 (0.39 PTH)
8 = 5.50 (0.39 PTH)

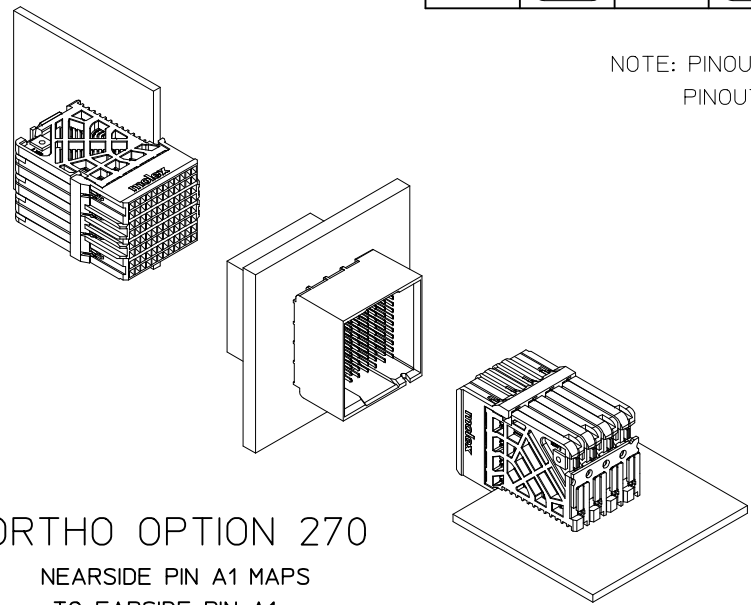
ENDWALL OPTIONS
0 = OPEN ENDS
2 = DUAL ENDWALL



SEE SHEET 1 EC NO: UCP2014-2698 DRAWN BY: JLAURX CHKD: JMENDOZA APPR: TELI 2013/04/02 2015/03/24	QUALITY SYMBOLS ▽=0 ▽=0 ▽=0	GENERAL TOLERANCES (UNLESS SPECIFIED)		DIMENSION STYLE MM ONLY		SCALE 4:1	DESIGN UNITS METRIC	THIRD ANGLE PROJECTION		
		4 PLACES	±	---	±	---	DRAWN BY	DATE	TITLE IMPACT 6 PAIR HEADER ORTHOGONAL ASSEMBLY UNGUIDED SALES DRAWING molex DOCUMENT NO. SD-76285-001 SHEET NO. 2 OF 4	
		3 PLACES	±	---	±	---	CHECKED BY	DATE		
		2 PLACES	±	0.13	±	---	APPROVED BY	DATE		
1 PLACE	±	0.25	±	---	DATE	2010/01/14				
0 PLACE	±		±		MATERIAL NO. SEE CHART					
DRAFT WHERE APPLICABLE MUST REMAIN WITHIN DIMENSIONS				ANGULAR ±1/2°						

ORTHO PIN MAPPING											
OPTION 270 (NEARSIDE - FAR SIDE)											
(A1-A1)	A2-B1	(A3-D1)	A4-E1	(A5-G1)	A6-H1	(A7-K1)	A8-L1	(A9-N1)	A10-P1	(A11-R1)	A12-S1
B1-A2	B2-C1	B3-D2	B4-F1	B5-G2	B6-J1	B7-K2	B8-M1	B9-N2	B10-Q1	B11-R2	B12-T1
C1-B2	(C2-C2)	C3-E2	(C4-F2)	C5-H2	(C6-J2)	C7-L2	(C8-M2)	C9-P2	(C10-Q2)	C11-S2	(C12-T2)
(D1-A3)	D2-B3	(D3-D3)	D4-E3	(D5-G3)	D6-H3	(D7-K3)	D8-L3	(D9-N3)	D10-P3	(D11-R3)	D12-S3
E1-A4	E2-C3	E3-D4	E4-F3	E5-G4	E6-J3	E7-K4	E8-M3	E9-N4	E10-Q3	E11-R4	E12-T3
F1-B4	(F2-C4)	F3-E4	(F4-F4)	F5-H4	(F6-J4)	F7-L4	(F8-M4)	F9-P4	(F10-Q4)	F11-S4	(F12-T4)
(G1-A5)	G2-B5	(G3-D5)	G4-E5	(G5-G5)	G6-H5	(G7-K5)	G8-L5	(G9-N5)	G10-P5	(G11-R5)	G12-S5
H1-A6	H2-C5	H3-D6	H4-F5	H5-G6	H6-J5	H7-K6	H8-M5	H9-N6	H10-Q5	H11-R6	H12-T5
J1-B6	(J2-C6)	J3-E6	(J4-F6)	J5-H6	(J6-J6)	J7-L6	(J8-M6)	J9-P6	(J10-Q6)	J11-S6	(J12-T6)
(K1-A7)	K2-B7	(K3-D7)	K4-E7	(K5-G7)	K6-H7	(K7-K7)	K8-L7	(K9-N7)	K10-P7	(K11-R7)	K12-S7
L1-A8	L2-C7	L3-D8	L4-F7	L5-G8	L6-J7	L7-K8	L8-M7	L9-N8	L10-Q7	L11-R8	L12-T7
M1-B8	(M2-C8)	M3-E8	(M4-F8)	M5-H8	(M6-J8)	M7-L8	(M8-M8)	M9-P8	(M10-Q8)	M11-S8	(M12-T8)
(N1-A9)	N2-B9	(N3-D9)	N4-E9	(N5-G9)	N6-H9	(N7-K9)	N8-L9	(N9-N9)	N10-P9	(N11-R9)	N12-S9
P1-A10	P2-C9	P3-D10	P4-F9	P5-G10	P6-J9	P7-K10	P8-M9	P9-N10	P10-Q9	P11-R10	P12-T9
Q1-B10	(Q2-C10)	Q3-E10	(Q4-F10)	Q5-H10	(Q6-J10)	Q7-L10	(Q8-M10)	Q9-P10	(Q10-Q10)	Q11-S10	(Q12-T10)
(R1-A11)	R2-B11	(R3-D11)	R4-E11	(R5-G11)	R6-H11	(R7-K11)	R8-L11	(R9-N11)	R10-P11	(R11-R11)	R12-S11
S1-A12	S2-C11	S3-D12	S4-F11	S5-G12	S6-J11	S7-K12	S8-M11	S9-N12	S10-Q11	S11-R12	S12-T11
T1-B12	(T2-C12)	T3-E12	(T4-F12)	T5-H12	(T6-J12)	T7-L12	(T8-M12)	T9-P12	(T10-Q12)	T11-S12	(T12-T12)

NOTE: PINOUTS SHOWN IN BALLOONS ARE GROUNDS.
 PINOUTS SHOWN ARE FOR SQUARE (12 COLUMN) PATTERN ONLY.



ORTHO OPTION 270
 NEARSIDE PIN A1 MAPS
 TO FAR SIDE PIN A1

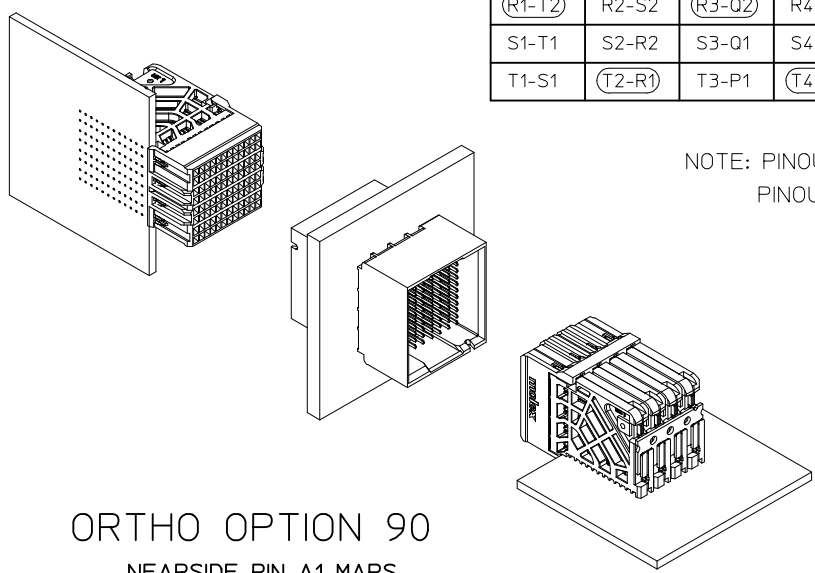
SEE SHEET 1 EC NO: UCP2014-2698 TDRWINARI/VI01 2013/04/02 CHKD: APPR:TELO 2015/03/24	QUALITY SYMBOLS	GENERAL TOLERANCES (UNLESS SPECIFIED)	DIMENSION STYLE	SCALE	DESIGN UNITS	THIRD ANGLE PROJECTION
	▽=0	mm INCH	MM ONLY	8:1	METRIC	
	▽=0	4 PLACES ± --- ± ---	DRAWN BY	TITLE		
	▽=0	3 PLACES ± --- ± ---	JLAURX	IMPACT 6 PAIR HEADER ORTHOGONAL ASSEMBLY UNGUIDED SALES DRAWING		
	2 PLACES ± 0.13 ± ---	CHECKED BY	molex			
	1 PLACE ± 0.25 ± ---	JMENDOZA	DOCUMENT NO.			
	0 PLACE ± ±	APPROVED BY	SD-76285-001			
	ANGULAR ±1/2°	JB INGHAM	SHEET NO.			
	DRAFT WHERE APPLICABLE MUST REMAIN WITHIN DIMENSIONS		3 OF 4			
		SEE CHART	THIS DRAWING CONTAINS INFORMATION THAT IS PROPRIETARY TO MOLEX INCORPORATED AND SHOULD NOT BE USED WITHOUT WRITTEN PERMISSION			

ORTHO PIN MAPPING

OPTION 90 (NEARSIDE - FAR SIDE)

(A1-T12)	A2-S12	(A3-Q12)	A4-P12	(A5-M12)	A6-L12	(A7-J12)	A8-H12	(A9-F12)	A10-E12	(A11-C12)	A12-B12
B1-T11	B2-R12	B3-Q11	B4-N12	B5-M11	B6-K12	B7-J11	B8-G12	B9-F11	B10-D12	B11-C11	B12-A12
C1-S11	(C2-R11)	C3-P11	(C4-N11)	C5-L11	(C6-K11)	C7-H11	(C8-G11)	C9-E11	(C10-D11)	C11-B11	(C12-A11)
(D1-T10)	D2-S10	(D3-Q10)	D4-P10	(D5-M10)	D6-L10	(D7-J10)	D8-H10	(D9-F10)	D10-E10	(D11-C10)	D12-B10
E1-T9	E2-R10	E3-Q9	E4-N10	E5-M9	E6-K10	E7-J9	E8-G10	E9-F9	E10-D10	E11-C9	E12-A10
F1-S9	(F2-R9)	F3-P9	(F4-N9)	F5-L9	(F6-K9)	F7-H9	(F8-G9)	F9-E9	(F10-D9)	F11-B9	(F12-A9)
(G1-T8)	G2-S8	(G3-Q8)	G4-P8	(G5-M8)	G6-L8	(G7-J8)	G8-H8	(G9-F8)	G10-E8	(G11-C8)	G12-B8
H1-T7	H2-R8	H3-Q7	H4-N8	H5-M7	H6-K8	H7-J7	H8-G8	H9-F7	H10-D8	H11-C7	H12-A8
J1-S7	(J2-R7)	J3-P7	(J4-N7)	J5-L7	(J6-K7)	J7-H7	(J8-G7)	J9-E7	(J10-D7)	J11-B7	(J12-A7)
(K1-T6)	K2-S6	(K3-Q6)	K4-P6	(K5-M6)	K6-L6	(K7-J6)	K8-H6	(K9-F6)	K10-E6	(K11-C6)	K12-B6
L1-T5	L2-R6	L3-Q5	L4-N6	L5-M5	L6-K6	L7-J5	L8-G6	L9-F5	L10-D6	L11-C5	L12-A6
M1-S5	(M2-R5)	M3-P5	(M4-N5)	M5-L5	(M6-K5)	M7-H5	(M8-G5)	M9-E5	(M10-D5)	M11-B5	(M12-A5)
(N1-T4)	N2-S4	(N3-Q4)	N4-P4	(N5-M4)	N6-L4	(N7-J4)	N8-H4	(N9-F4)	N10-E4	(N11-C4)	N12-B4
P1-T3	P2-R4	P3-Q3	P4-N4	P5-M3	P6-K4	P7-J3	P8-G4	P9-F3	P10-D4	P11-C3	P12-A4
Q1-S3	(Q2-R3)	Q3-P3	(Q4-N3)	Q5-L3	(Q6-K3)	Q7-H3	(Q8-G3)	Q9-E3	(Q10-D3)	Q11-B3	(Q12-A3)
(R1-T2)	R2-S2	(R3-Q2)	R4-P2	(R5-M2)	R6-L2	(R7-J2)	R8-H2	(R9-F2)	R10-E2	(R11-C2)	R12-B2
S1-T1	S2-R2	S3-Q1	S4-N2	S5-M1	S6-K2	S7-J1	S8-G2	S9-F1	S10-D2	S11-C1	S12-A2
T1-S1	(T2-R1)	T3-P1	(T4-N1)	T5-L1	(T6-K1)	T7-H1	(T8-G1)	T9-E1	(T10-D1)	T11-B1	(T12-A1)

NOTE: PINOUTS SHOWN IN BALLOONS ARE GROUNDS.
PINOUTS SHOWN ARE FOR SQUARE (12 COLUMN) PATTERN ONLY.



ORTHO OPTION 90
NEARSIDE PIN A1 MAPS
TO FAR SIDE PIN T12
(FOR SQUARE PATTERN)

SEE SHEET 1 EC NO: UCP2014-2698 TDRW:AR1ZV101 2013/04/02 CHKD: APPR:TELO REV	DESCRIPTION 2015/03/24	QUALITY SYMBOLS	GENERAL TOLERANCES (UNLESS SPECIFIED)	DIMENSION STYLE	SCALE	DESIGN UNITS	THIRD ANGLE PROJECTION	
			mm INCH	MM ONLY	4:1	METRIC		
		▽=0	4 PLACES ± --- ± ---	DRAWN BY	DATE	TITLE		
		▽=0	3 PLACES ± --- ± ---	JLAURX	4/20/09	IMPACT 6 PAIR HEADER ORTHOGONAL ASSEMBLY UNGUIDED SALES DRAWING		
		▽=0	2 PLACES ± 0.13 ± ---	CHECKED BY	DATE			
	1 PLACE ± 0.25 ± ---	JMENDOZA	2010/01/13	DOCUMENT NO.	SD-76285-001			
	0 PLACE ± ±	APPROVED BY	DATE					
		JB INGHAM	2010/01/14					
DRAFT WHERE APPLICABLE MUST REMAIN WITHIN DIMENSIONS		ANGULAR ±1/2°	SEE CHART				4 OF 4	
			THIS DRAWING CONTAINS INFORMATION THAT IS PROPRIETARY TO MOLEX INCORPORATED AND SHOULD NOT BE USED WITHOUT WRITTEN PERMISSION					