

June 2006

Features

- Low jitter clock outputs suitable for OC-192, OC-48, OC-12, OC-3 and OC-1 SONET applications as defined in Telcordia GR-253-CORE
- Low jitter clock outputs suitable for STM-64, STM-16, STM-4 and STM-1 applications as defined in ITU-T G.813
- Provides one differential LVPECL output clock selectable to 19.44, 38.88, 77.76, 155.52 or 622.08 MHz
- Provides a single-ended CMOS output clock at 19.44 MHz
- Accepts a single-ended CMOS reference at 19.44 MHz or a differential LVDS, LVPECL or CML reference at 19.44 or 77.76 MHz
- Provides a LOCK indication
- 8 mm x 8 mm CABGA package
- 3.3 V supply

Applications

- SONET/SDH line cards

Ordering Information

ZL30416GGG	64 Ball CABGA	Trays, Bake & Drypack
ZL30416GGG2	64 Ball CABGA*	Trays, Bake & Drypack

*Pb Free Tin/Silver/Copper

-40°C to +85°C

Description

The ZL30416 is an Analog Phase-Locked Loop (APLL) designed to provide jitter attenuation and rate conversion for SDH (Synchronous Digital Hierarchy) and SONET (Synchronous Optical Network) networking equipment. The ZL30416 generates low jitter output clocks suitable for Telcordia GR-253-CORE OC-192, OC-48, OC-12, OC-3, and OC-1 and ITU-T G.813 STM-64, STM-16, STM-4 and STM-1 applications.

The ZL30416 accepts a CMOS compatible reference at 19.44 MHz or a differential LVDS, LVPECL or CML reference at 19.44 or 77.76 MHz and generates a differential LVPECL output clock selectable to 19.44, 38.88, 77.76, 155.52 or 622.08 MHz and a single-ended CMOS clock at 19.44 MHz. The ZL30416 provides a lock indication.

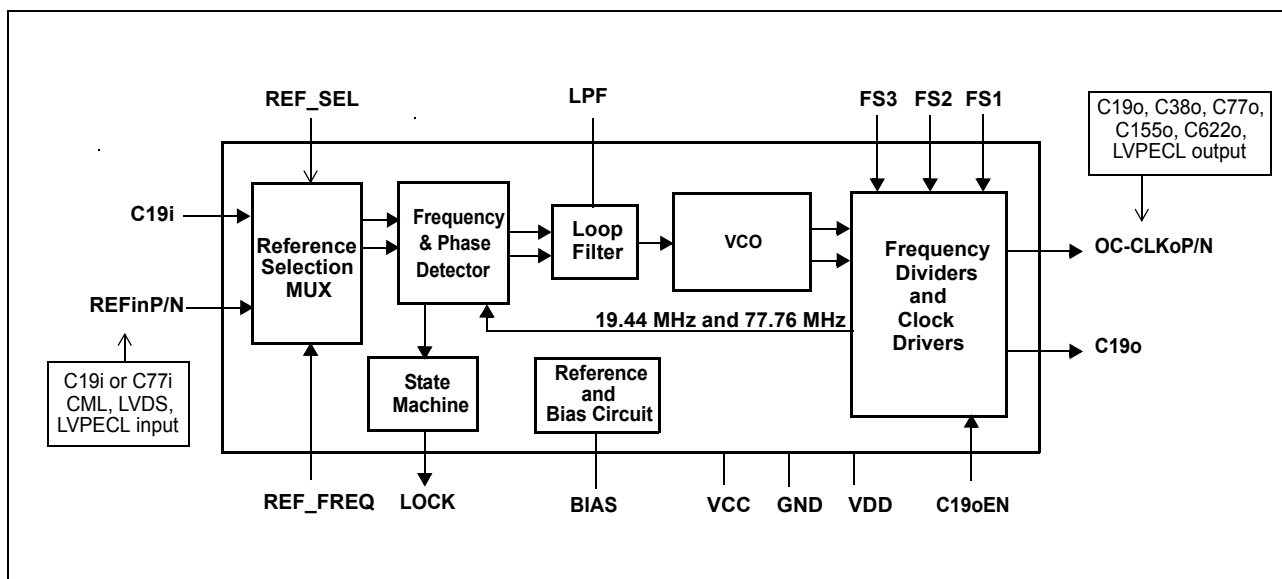


Figure 1 - Functional Block Diagram

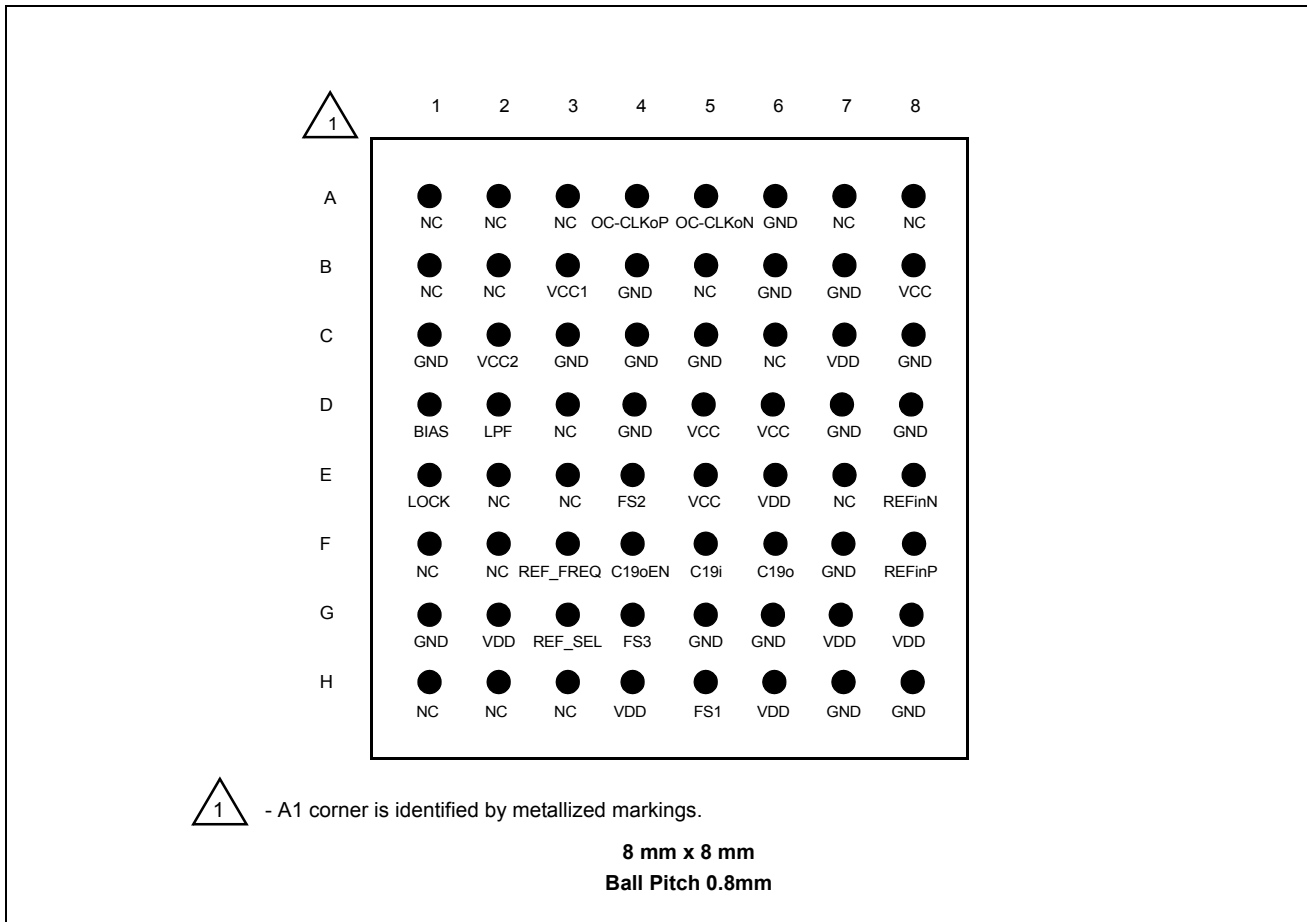


Figure 2 - BGA 64 Ball Package (Top View)

1.0 Ball Description

Ball Description Table

Ball #	Name	Description
A1, A2 A3	NC	No internal bonding Connection. Leave unconnected.
A4 A5	OC-CLKoP OC-CLKoN	SONET/SDH Clock (LVPECL Output). These outputs provide a selectable differential LVPECL clock at 19.44 Hz, 38.88 MHz, 77.76 MHz, 155.52 MHz, and 622.08 MHz. The output frequency is selected with FS3, FS2 and FS1 inputs.
A6	GND	Ground. 0 volt
A7, A8 B1, B2	NC	No internal bonding Connection. Leave unconnected.
B3	VCC1	Positive Analog Power Supply. +3.3 V +/-10%
B4	GND	Ground. 0 volt
B5	NC	No internal bonding Connection. Leave unconnected.
B6, B7	GND	Ground. 0 volt

Ball Description Table (continued)

Ball #	Name	Description
B8	VCC	Positive Analog Power Supply. +3.3 V \pm 10%
C1	GND	Ground. 0 volt
C2	VCC2	Positive Analog Power Supply. +3.3 V \pm 10%
C3, C4 C5	GND	Ground. 0 volt
C6	NC	No internal bonding Connection. Leave unconnected.
C7	VDD	Positive Digital Power Supply. +3.3 V \pm 10%
C8	GND	Ground. 0 volt
D1	BIAS	Bias Circuit.
D2	LPF	External Low-Pass Filter (Analog). Connect external RC network for the low-pass filter.
D3	NC	No internal bonding Connection. Leave unconnected.
D4	GND	Ground. 0 volt
D5, D6	VCC	Positive Analog Power Supply. +3.3 V \pm 10%
D7, D8	GND	Ground. 0 volt
E1	LOCK	Lock Indicator (CMOS Output). This output goes high when the PLL is frequency locked to the selected input reference.
E2, E3	NC	No internal bonding Connection. Leave unconnected.
G4 E4 H5	FS3 FS2 FS1	Frequency Select 3-1 (CMOS Input). These inputs select the clock frequency on the OC-CLKo output. The possible output frequencies are: 19.44 MHz (000), 38.88 MHz (001), 77.76 MHz (010), 155.52 MHz (011), 622.08 (100)
E5	VCC	Positive Analog Power Supply. +3.3 V \pm 10%
E6	VDD	Positive Digital Power Supply. +3.3 V \pm 10%
E7	NC	No internal bonding Connection. Leave unconnected.
E8 F8	REFinN REFinP	Differential Reference Clock Input (CML/LVDS/LVPECL Compatible Input). These inputs accept a differential clock at 77.76 MHz or 19.44 MHz as the reference for synchronization. These inputs do not have on-chip AC coupling capacitors.
F1, F2	NC	No internal bonding Connection. Leave unconnected.
F3	REF_FREQ	Reference Frequency (CMOS Input). This input selects the rate of the differential input clock (REFinP/N) to be either 77.76 MHz or 19.44 MHz.
F4	C19oEN	C19o Output Enable (CMOS Input). If tied high this control input enables the C19o output clock. Pulling this pin low forces the output driver into a high impedance state.
F5	C19i	C19 Reference Input (CMOS Input). This is a single-ended input reference source used for synchronization. This input accepts 19.44 MHz.

Ball Description Table (continued)

Ball #	Name	Description
F6	C19o	Clock 19.44 MHz (CMOS Output). This output provides a single-ended CMOS clock at 19.44 MHz.
F7, G1	GND	Ground. 0 volt
G2	VDD	Positive Digital Power Supply. +3.3 V \pm 10%
G3	REF_SEL	Reference Select (CMOS Input). If tied low then the C19i single-ended reference is used as the input reference source. If tied high then the REFinP/N differential pair is used as the input reference source.
G4	FS3	See E4 ball description.
G5, G6	GND	Ground. 0 volt
G7, G8	VDD	Positive Digital Power Supply. +3.3 V \pm 10%
H1, H2 H3	NC	No internal bonding Connection. Leave unconnected.
H4	VDD	Positive Digital Power Supply. +3.3 V \pm 10%
H5	FS1	See E4 ball description.
H6	VDD	Positive Digital Power Supply. +3.3 V \pm 10%
H7, H8	GND	Ground. 0 volt.

2.0 Functional Description

The ZL30416 is an analog phased-locked loop which provides rate conversion and jitter attenuation for SONET/SDH OC-192/STM-64, OC-48/STM-16, OC-12/STM-4 and OC-3/STM-1 applications. A functional block diagram of the ZL30416 is shown in Figure 1 and a brief description is presented in the following sections.

2.1 Reference Selection Multiplexer

The ZL30416 accepts two types of input reference clocks:

- differential: operating at 19.44 MHz or 77.76 MHz, compatible with LVDS/LVPECL/CML threshold levels
- single-ended: operating at 19.44 MHz, compatible with CMOS switching levels

The REF_SEL input determines whether the single-ended CMOS reference input (REFin) or the differential reference inputs (REFinP/N) are used as input reference clocks. The REF_FREQ input selects the rate of the differential input clock to be either 19.44 MHz or 77.76 MHz. See Table 1 for details.

REF_SEL	REF_FREQ	Selected Input Reference	Reference Frequency
0	x	C19i	19.44 MHz (CMOS)
1	0	REFin	77.76 MHz (Differential)
1	1	REFin	19.44 MHz (Differential)

Table 1 - Input Reference Selection

2.2 Frequency/Phase Detector

The Frequency/Phase Detector compares the frequency/phase of the input reference signal with the feedback signal from the Frequency Divider circuit and provides an error signal equal to the frequency/phase difference between the two. This error signal is passed to the Loop Filter circuit.

2.3 Lock Indicator

The ZL30416 has a built-in LOCK detector that measures frequency difference between input reference clock C19i and the VCO frequency. When the VCO frequency is less than ± 300 ppm apart from the input reference frequency then the LOCK output is set high. The LOCK output is pulled low if the frequency difference exceeds ± 1000 ppm.

2.4 Loop Filter

The Loop Filter is a low-pass filter. This low-pass filter eliminates high frequency spectral components from a phase error signal produced by the Phase Detector. This ensures low output jitter that meets network jitter requirements. The corner frequency of the Loop Filter is configurable with an external capacitor and resistor connected to the LPF ball and ground as shown in Figure 3.

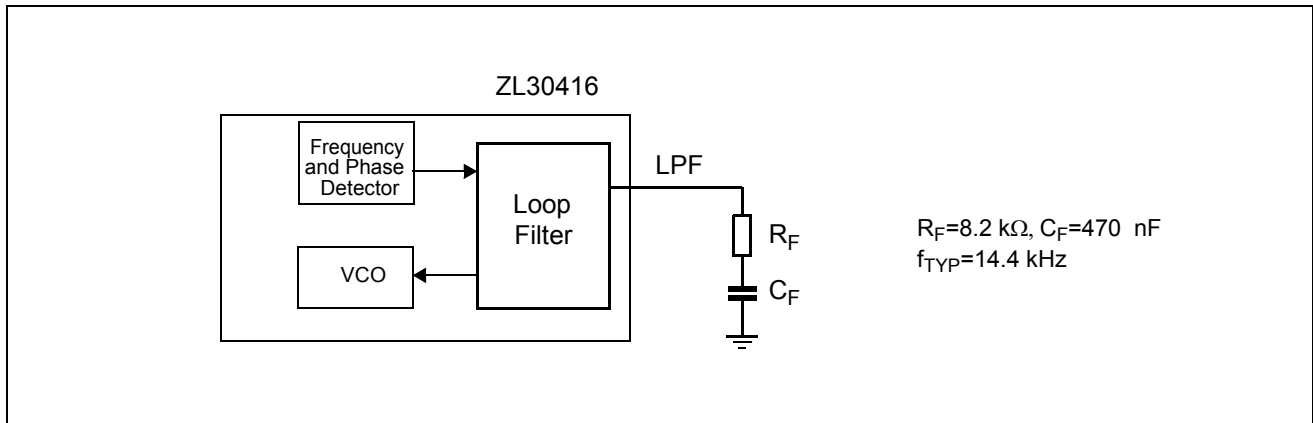


Figure 3 - Loop Filter Elements

2.5 VCO

The voltage-controlled oscillator (VCO) receives the filtered error signal from the Loop Filter and based on the voltage of the error signal generates a primary frequency. The VCO output is connected to the "Frequency Dividers and Clock Drivers" block that divides VCO frequency and buffer generated clocks.

2.6 Frequency Dividers and Clock Drivers

The output of the VCO feeds the high frequency clock to the "Frequency Dividers and Clock Drivers" circuit to provide one differential LVPECL compatible clock with selectable frequency and one single-ended 19.44 MHz C19o output clock. The C19o clock can be enabled or disabled with the associated C19oEN Output Enable ball. Internally, this block provides a feedback clock that closes the PLL loop.

The frequency of the OC-CLKo differential output clock is selected with FS3, FS2 and FS1 inputs as is shown in the following table.

FS3	FS2	FS1	OC-CLKo Frequency
0	0	0	19.44 MHz
0	0	1	38.88 MHz
0	1	0	77.76 MHz
0	1	1	155.52 MHz
1	0	0	622.08 MHz
1	0	1	Reserved
1	1	0	Reserved
1	1	1	Reserved

Table 2 - OC-CLKo Clock Frequency Selection

3.0 ZL30416 Performance

The following are some of the ZL30416 performance indicators that complement results listed in the Characteristics section of this data sheet.

3.1 Input Jitter Tolerance

Jitter tolerance is a measure of the PLL's ability to operate properly (i.e., remain in lock and/or regain lock in the presence of large jitter magnitudes at various jitter frequencies) in the presence of jitter applied to its input reference. The input jitter tolerance of the ZL30416 is shown in Figure 4. On this graph, the single line at the top represents the input jitter tolerance and the three overlapping lines below represent the specification for minimum input jitter tolerance for OC-192, OC-48 and OC-12 network interfaces. The jitter tolerance is expressed in picoseconds (pk-pk) to accommodate requirements for interfaces operating at different rates.

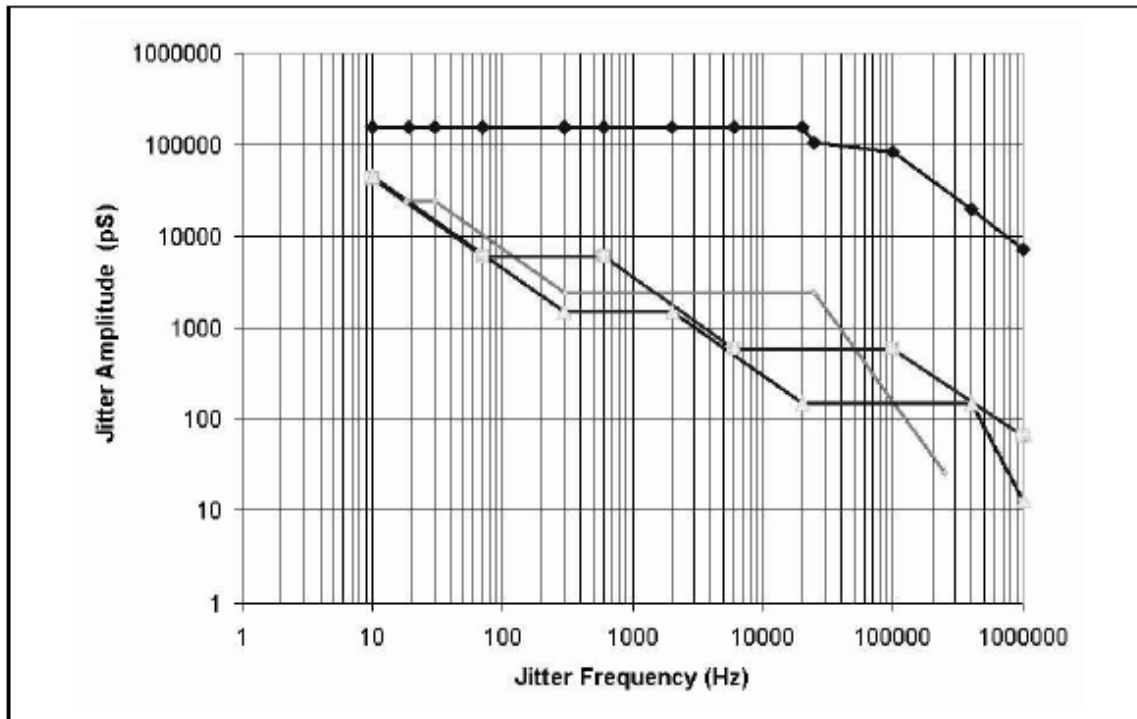


Figure 4 - Input Jitter Tolerance

3.2 Jitter Transfer Characteristic

Jitter Transfer Characteristic represents a ratio of the jitter at the output of a PLL to the jitter applied to the input of a PLL. This ratio is expressed in dB and it characterizes the PLL's ability to attenuate (filter) jitter. The ZL30416 jitter transfer characteristic complies with the maximum 0.1 dB jitter gain specified in Telcordia's GR-253-CORE.

4.0 Applications

4.1 Generation of Low Jitter SONET/SDH Equipment Clocks

The functionality and performance of the ZL30416 complements the entire family of the Zarlink's advanced network synchronization PLL's. Its jitter filtering characteristics exceed requirements of SONET/SDH optical interfaces operating up to OC-192/STM-64. The ZL30416 in combination with the MT90401 or the ZL30407 (SONET/SDH Network Element PLL's) provides the core building blocks for high quality equipment clocks suitable for network synchronization (see Figure 5).

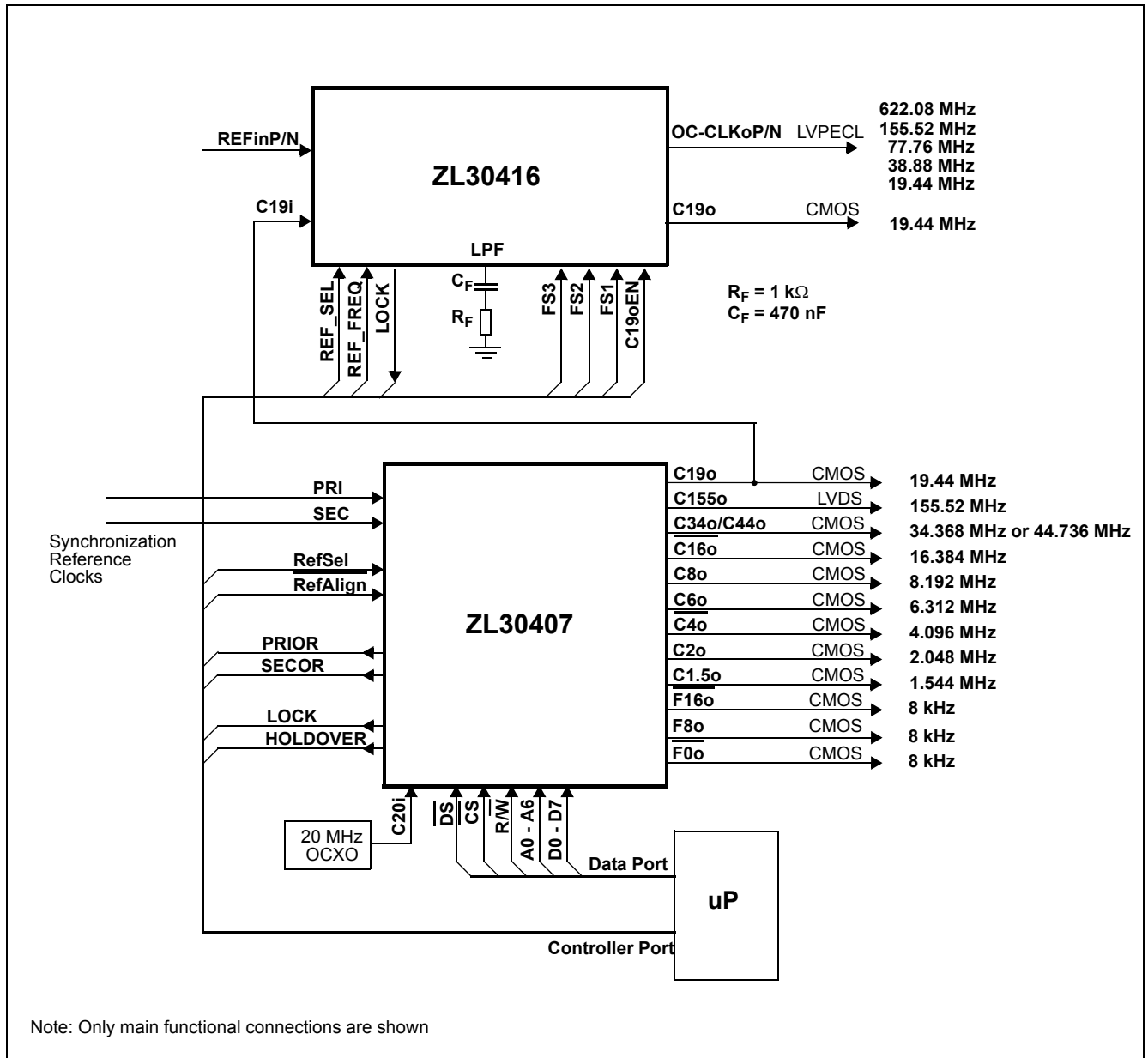


Figure 5 - SONET/SDH Equipment Clock

4.2 Recommended Interface Circuit

4.2.1 Interfacing to REFin Receiver

4.2.1.1 Interfacing REFin Receiver to LVPECL Driver

The ZL30416 REFin differential receiver can be connected to LVPECL compatible driver with an interface circuit, as shown in Figure 7. The R1s and R2s terminating resistors should be placed close to the REFin input balls.

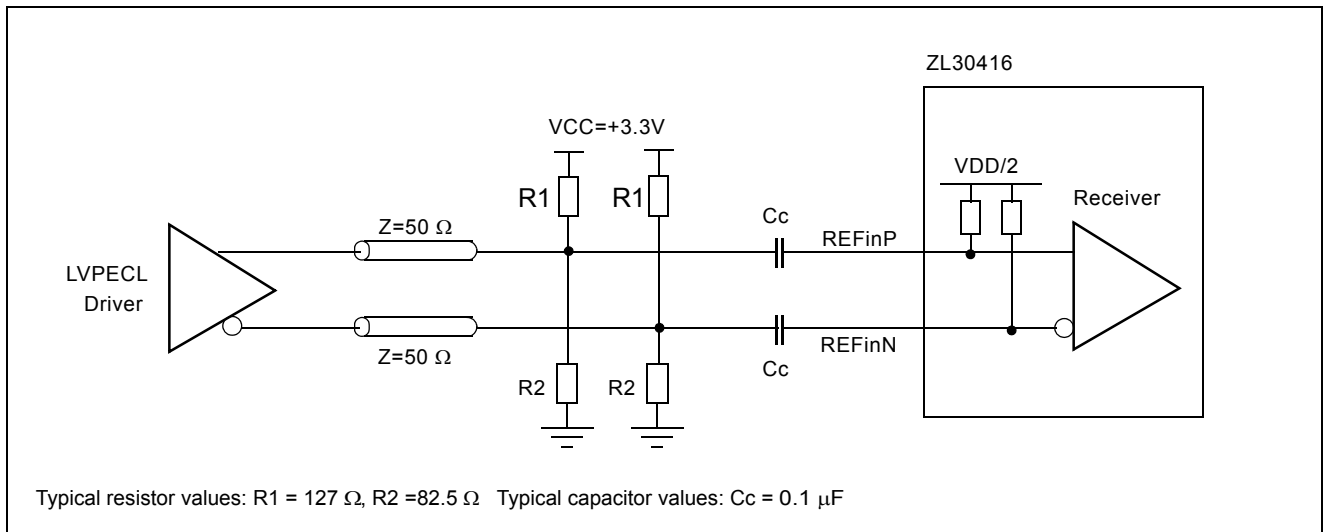


Figure 6 - Interfacing to LVPECL Driver

4.2.1.2 Interfacing REFin Receiver to LVDS or CML Drivers

The ZL30416 REFin differential receiver can be connected to LVDS or CML driver with an interface circuit, as shown in Figure 7. The 100Ω terminating resistors should be placed close to the REFin input balls.

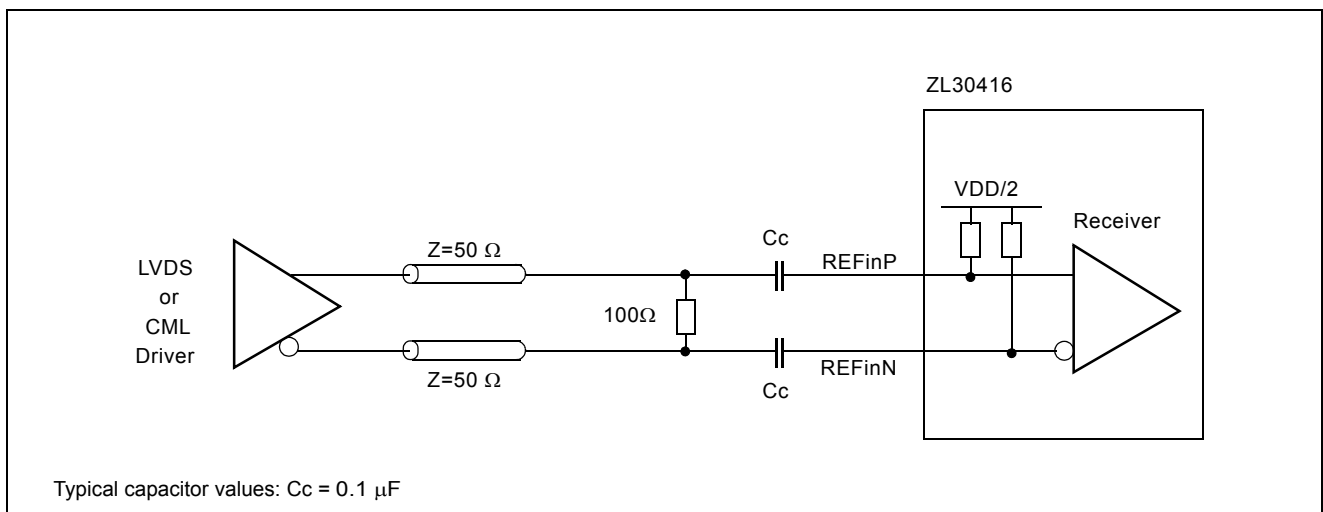


Figure 7 - Interfacing to LVDS or CML Driver

4.2.2 Interfacing to OC-CLKo Output

4.2.2.1 LVPECL to LVPECL Interface

The OC-CLKo outputs provide differential LVPECL clocks at 622.08 MHz, 155.52 MHz, 77.76 MHz, 38.88 MHz and 19.44 MHz selectable with FS3, FS2 and FS1 frequency select inputs. The LVPECL output drivers require a 50 Ω termination connected to the Vcc-2V source for each output terminal at the terminating end as shown below. The terminating resistors should be placed close to the LVPECL receiver.

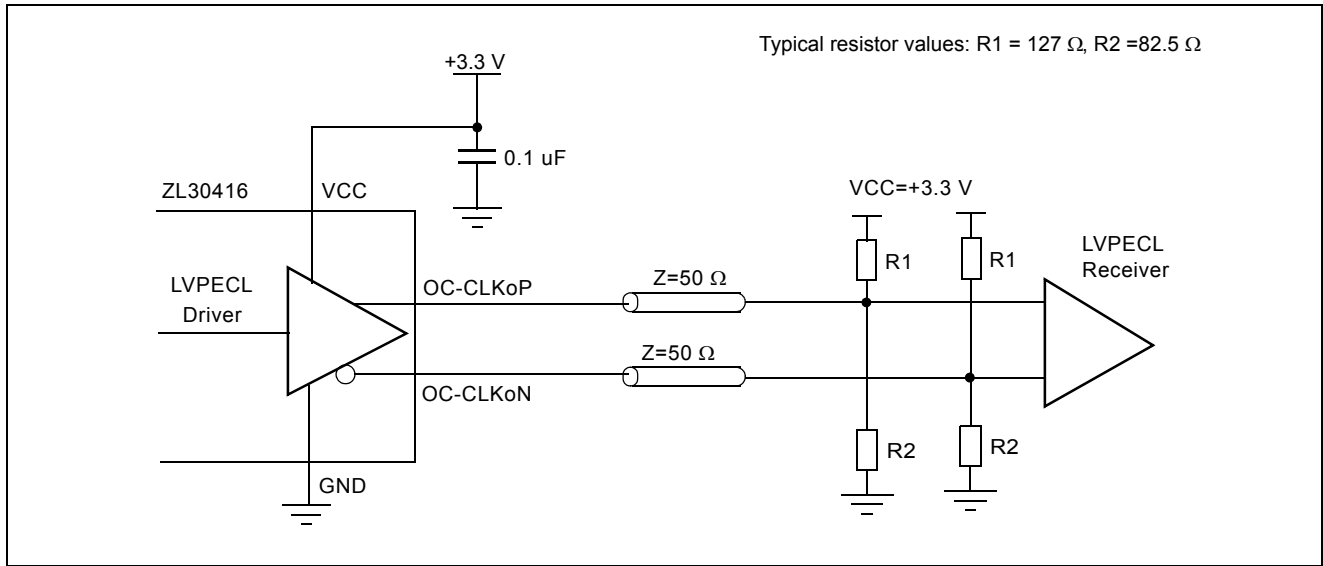


Figure 8 - LVPECL to LVPECL Interface

5.0 Characteristics

Absolute Maximum Ratings[†]

	Characteristics	Sym.	Min. [‡]	Max. [‡]	Units
1	Supply voltage	V_{DDR}, V_{CCR}	TBD	TBD	V
2	Voltage on any ball	V_{BALL}	-0.5	$V_{CC} + 0.5$ $V_{DD} + 0.5$	V
3	Current on any ball	I_{BALL}	-0.5	30	mA
4	ESD rating	V_{ESD}		1250	V
5	Storage temperature	T_{ST}	-55	125	°C
6	Package power dissipation	P_{PD}		1.0	W

[†] Voltages are with respect to ground unless otherwise stated.

[‡] Exceeding these values may cause permanent damage. Functional operation under these conditions is not implied.

Recommended Operating Conditions[†]

	Characteristics	Sym.	Min.	Typ. [‡]	Max.	Units	Notes
1	Operating temperature	T_{OP}	-40	25	+85	°C	
2	Positive supply	V_{DD}, V_{CC}	3.0	3.3	3.6	V	

[†] Voltages are with respect to ground unless otherwise stated.

[‡] Typical figures are for design aid only; not guaranteed and not subject to production testing.

DC Electrical Characteristics[†]

	Characteristics	Sym.	Min.	Typ. [‡]	Max.	Units	Notes
1	Supply current	$I_{DD} + I_{CC}$		185		mA	Note 1 Note 2
2	CMOS: High-level input voltage	V_{IH}	$0.7 V_{DD}$		V_{DD}	V	
3	CMOS: Low-level input voltage	V_{IL}	0		$0.3 V_{DD}$	V	
4	CMOS: Input leakage current	I_{IL}		1	5	uA	$V_I = V_{DD}$ or 0 V
5	CMOS: Input bias current for pulled-down inputs: FS1, FS2 and FS3	I_{B-PD}		300		uA	$V_I = V_{DD}$
6	CMOS: Input bias current for pulled-up inputs: C19oEN	I_{B-PD}		90		uA	$V_I = 0 V$
7	CMOS: High-level output voltage	V_{OH}	2.4			V	$I_{OH} = 8 mA$

DC Electrical Characteristics[†] (continued)

	Characteristics	Sym.	Min.	Typ. [‡]	Max.	Units	Notes
8	CMOS: Low-level output voltage	V_{OL}			0.4	V	$I_{OL} = 4 \text{ mA}$
9	CMOS: C19o output rise time	T_R		1.8	3.3	ns	18 pF load
10	CMOS: C19o output fall time	T_F		1.1	1.4	ns	18 pF load
11	LVPECL: Differential output voltage	V_{OD_LVPECL}		1.30		V	for 622 MHz Note 2
12	LVPECL: Offset voltage	V_{OS_LVPECL}	$V_{CC} - 1.38$	$V_{CC} - 1.27$	$V_{CC} - 1.15$	V	for 622 MHz Note 2
13	LVPECL: Output rise/fall times	T_{RF}		260		ps	for 622 MHz Note 2

[†] Voltages are with respect to ground unless otherwise stated.

[‡] Typical figures are for design aid only; not guaranteed and not subject to production testing.

Supply voltage and operating temperature are as per Recommended Operating Conditions.

Note 1: The I_{LVPECL} current is determined by the external termination network connected to LVPECL outputs. More than 25% of this current (10 mA) flows outside the chip and it does not contribute to the internal power dissipation. The Supply Current value listed in the table includes this current to reflect total current consumption of the ZL30416 and the attached LVPECL termination network.

Note 2: LVPECL outputs terminated with $Z_T = 50 \Omega$ resistors biased to $V_{CC} - 2V$ (see Figure 8).

AC Electrical Characteristics[†] - Output Timing Parameters Measurement Voltage Levels

	Characteristics	Sym.	CMOS	LVPECL	Units
1	Threshold voltage	$V_{T\text{-CMOS}}$ $V_{T\text{-LVPECL}}$	$0.5 V_{DD}$	$0.5 V_{OD_LVPECL}$	V
2	Rise and fall threshold voltage high	V_{HM}	$0.7 V_{DD}$	$0.8 V_{OD_LVPECL}$	V
3	Rise and fall threshold voltage low	V_{LM}	$0.3 V_{DD}$	$0.2 V_{OD_LVPECL}$	V

[†] Voltages are with respect to ground unless otherwise stated.

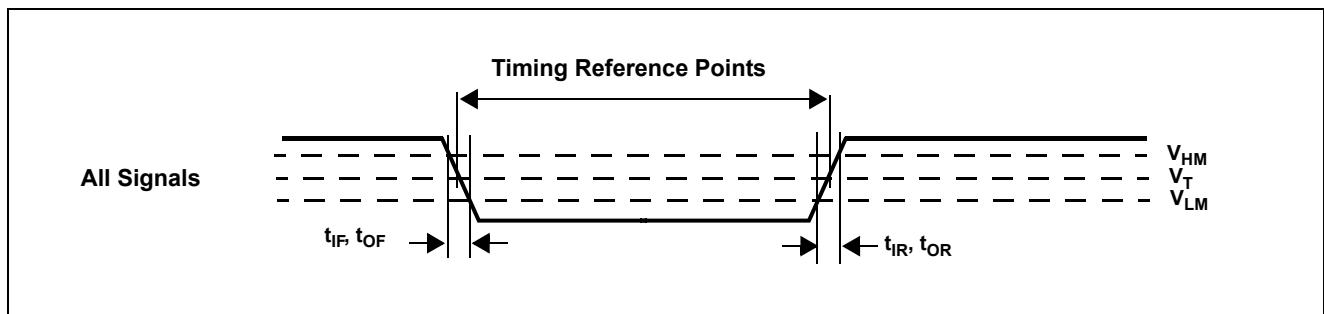


Figure 10 - Output Timing Parameter Measurement Voltage Levels

AC Electrical Characteristics[†] - C19i Input to C19o Output Timing

	Characteristics	Sym.	Min.	Typ. [‡]	Max.	Units	Notes
1	C19i to C19o delay	t_{C19D}	4.4	6.7	9.4	ns	

[†] Supply voltage and operating temperature are as per Recommended Operating Conditions.

[‡] Typical figures are for design aid only; not guaranteed and not subject to production testing.

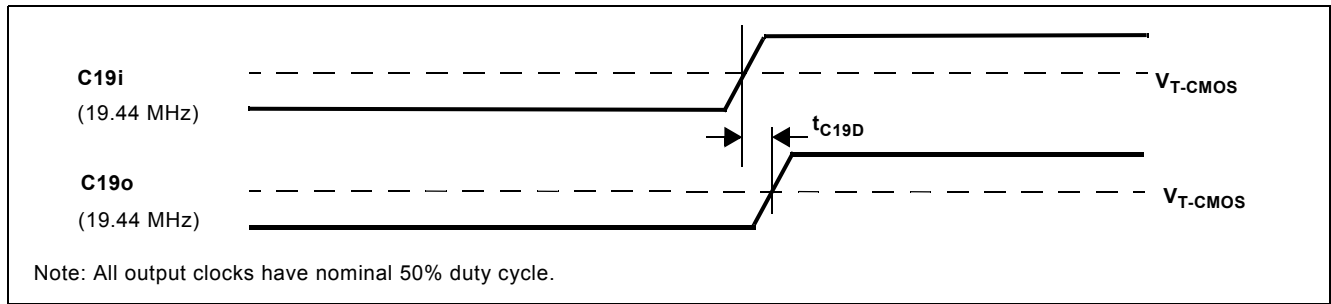


Figure 11 - C19i Input to C19o Output Timing

AC Electrical Characteristics[†] - REFin to C19o Output Timings

	Characteristics	Sym.	Min.	Typ. [‡]	Max.	Units	Notes
1	REFin (19.44 MHz) to C19o (19.44 MHz) delay	$t_{R19OC19D}$	1.4	7.8	10	ns	
2	REFin (77.76 MHz) to C19o (19.44 MHz) delay	$t_{R77OC77D}$	7.9	9.9	13	ns	

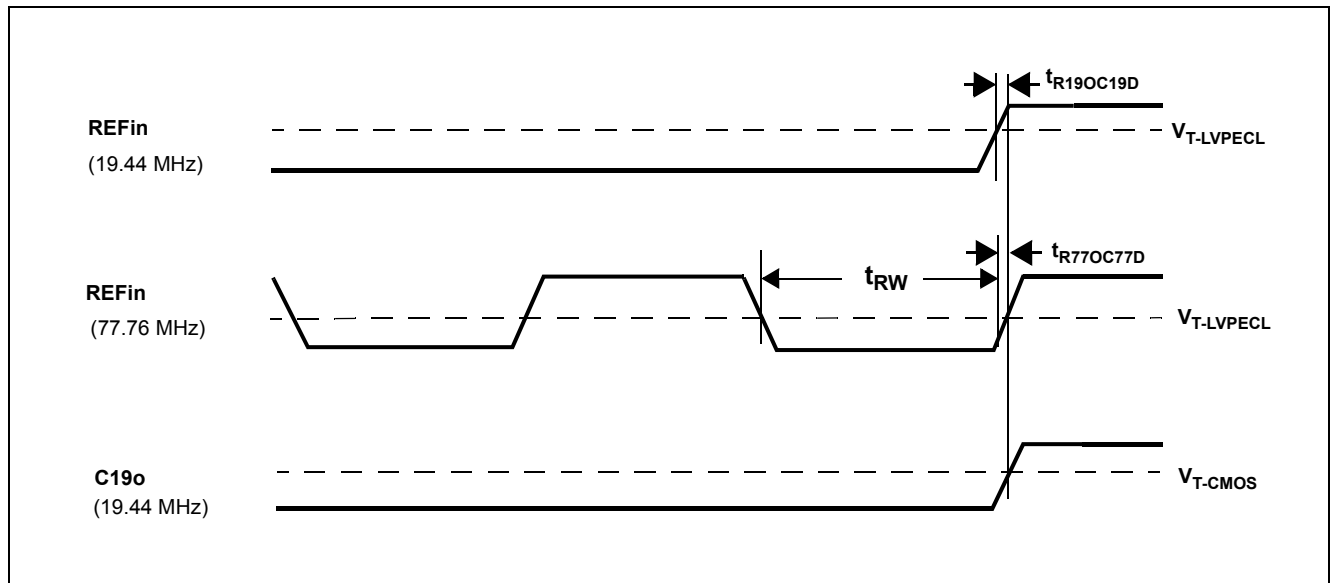


Figure 12 - REFin Input to C19o Output Timing

AC Electrical Characteristics[†] - C19i Input to OC-CLKo Output Timing

	Characteristics	Sym.	Min.	Typ. [‡]	Max.	Units	Notes
1	C19i(CMOS) to C19o(LVPECL) delay	t_{C19D}	1.4	3.3	5.1	ns	
2	C19i(CMOS) to OC-CLKo(38) delay	t_{C38D}	1.2	3.0	4.8	ns	
3	C19i(CMOS) to OC-CLKo(77) delay	t_{C77D}	0.9	2.6	4.4	ns	
4	C19i(CMOS) to OC-CLKo(155) delay	t_{C155D}	0.6	2.3	4.1	ns	
5	C19i(CMOS) to OC-CLKo(622) delay	t_{C622D}	0	0.8	1.6	ns	
6	All Output Clock duty cycle	d_C	48	50	52	%	

[†] Supply voltage and operating temperature are as per Recommended Operating Conditions.

[‡] Typical figures are for design aid only; not guaranteed and not subject to production testing.

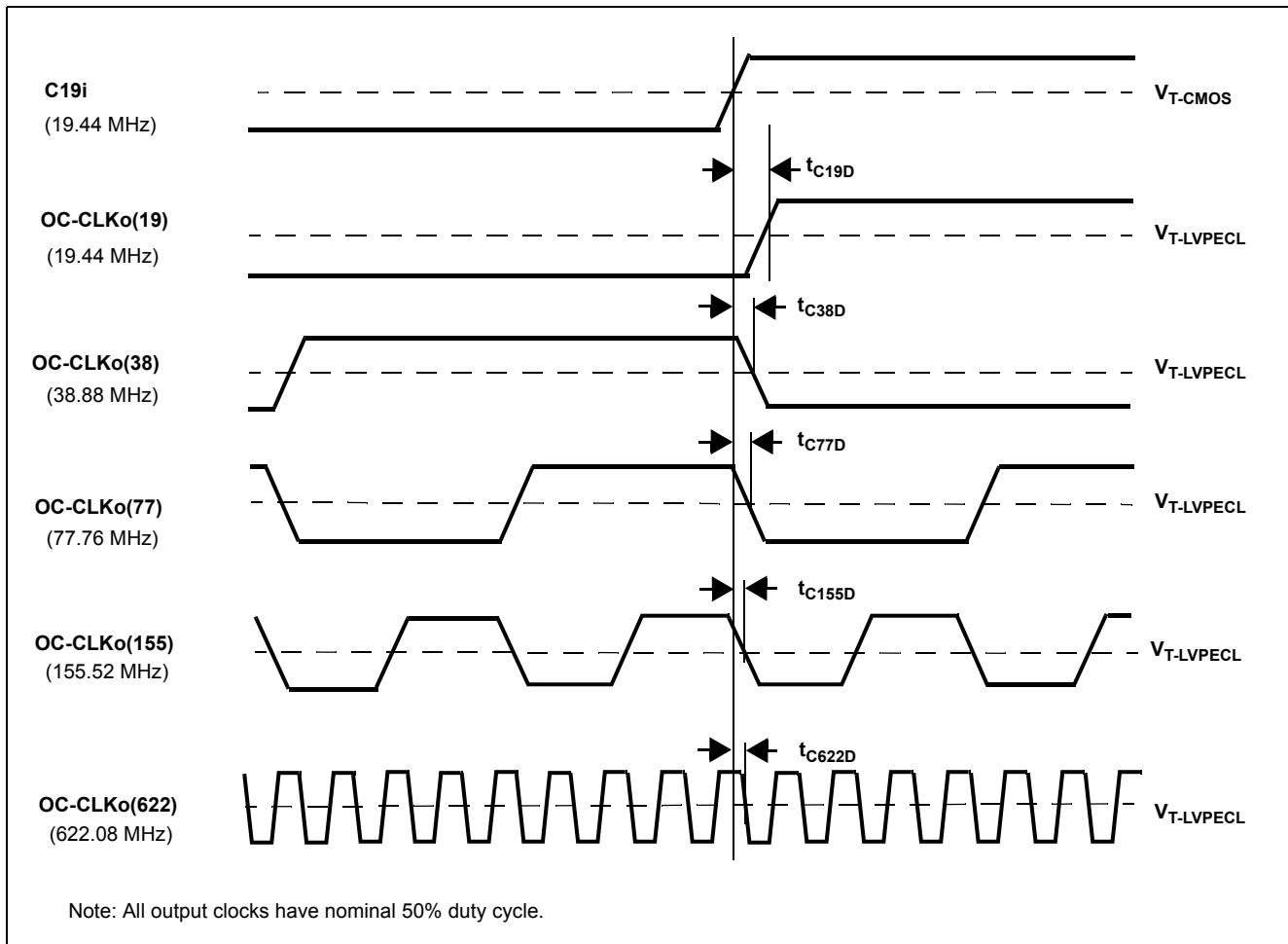


Figure 13 - C19i Input to OC-CLKo Output Timing

AC Electrical Characteristics[†] - REFin (19.44 MHz) Input to OC-CLKo Output Timing

	Characteristics	Sym.	Min.	Typ. [‡]	Max.	Units	Notes
1	REFin(19.44 MHz) to OC-CLKo(19) delay	$t_{C19-19D}$	2.4	4.3	6.2	ns	
2	REFin(19.44 MHz) to OC-CLKo(38) delay	$t_{C19-38D}$	1.9	4.0	6.0	ns	
3	REFin(19.44 MHz) to OC-CLKo(77) delay	$t_{C19-77D}$	1.7	3.7	5.6	ns	
4	REFin(19.44 MHz) to OC-CLKo(155) delay	$t_{C19-155D}$	1.4	3.4	5.3	ns	
5	REFin(19.44 MHz) to OC-CLKo(622) delay	$t_{C19-622D}$	0	0.8	1.6	ns	

† Supply voltage and operating temperature are as per Recommended Operating Conditions.

‡ Typical figures are for design aid only; not guaranteed and not subject to production testing.

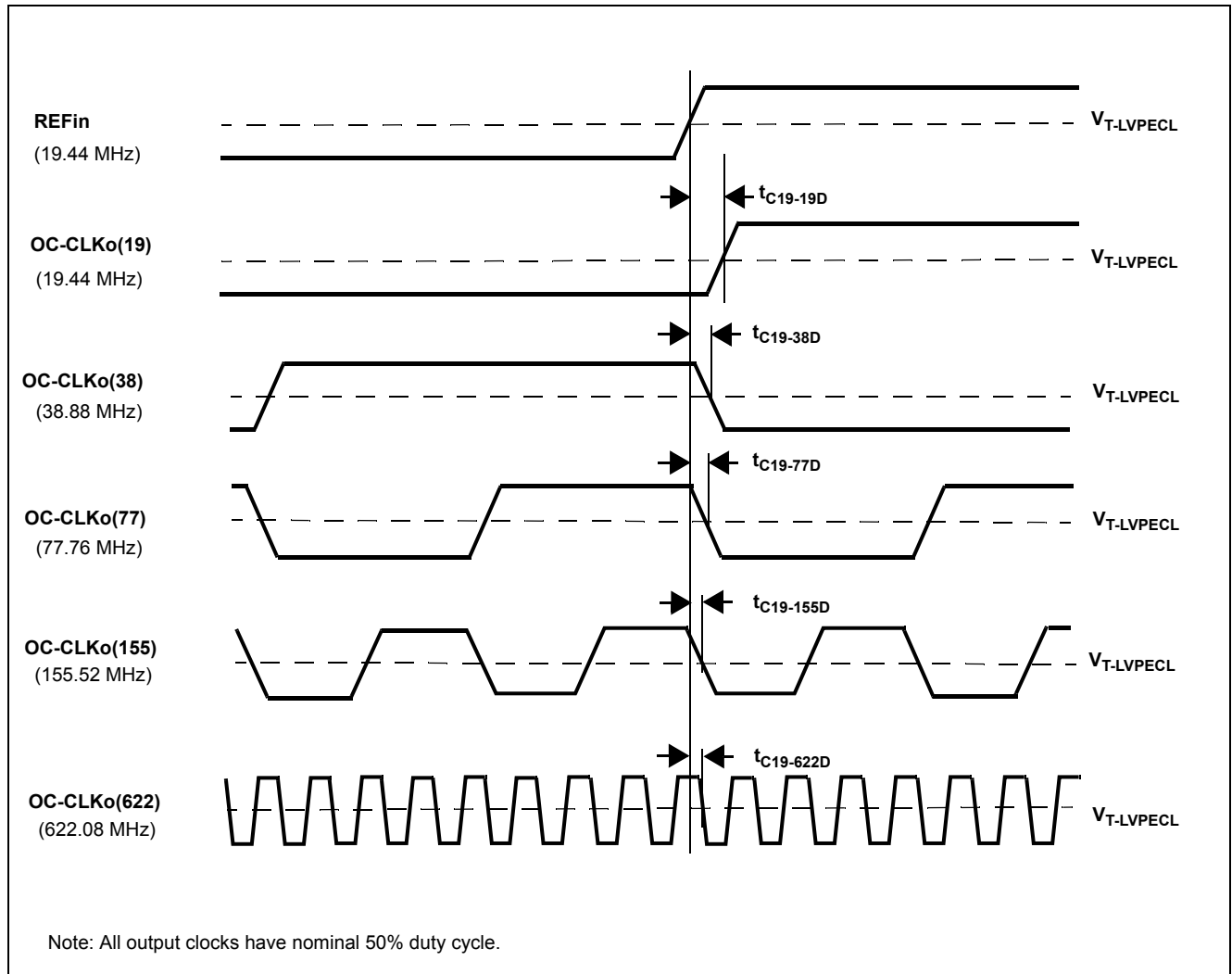


Figure 14 - REFin (19.44 MHz) Input to OC-CLKo Output Timing

AC Electrical Characteristics[†] - REFin (77.76 MHz) Input to OC-CLKo Output Timing

	Characteristics	Sym.	Min.	Typ. [‡]	Max.	Units	Notes
1	REFin(77.76 MHz) to OC-CLKo(19) delay	$t_{C77-19D}$	3.5	6.5	9.5	ns	
2	REFin(77.76 MHz) to OC-CLKo(38) delay	$t_{C77-38D}$	3.2	6.2	9.2	ns	
3	REFin(77.76 MHz) to OC-CLKo(77) delay	$t_{C77-77D}$	2.9	5.9	8.8	ns	
4	REFin(77.76 MHz) to OC-CLKo(155) delay	$t_{C77-155D}$	2.6	5.6	8.6	ns	
5	REFin(77.76 MHz) to OC-CLKo(622) delay	$t_{C77-622D}$	0	0.8	1.6	ns	

[†] Supply voltage and operating temperature are as per Recommended Operating Conditions.

[‡] Typical figures are for design aid only; not guaranteed and not subject to production testing.

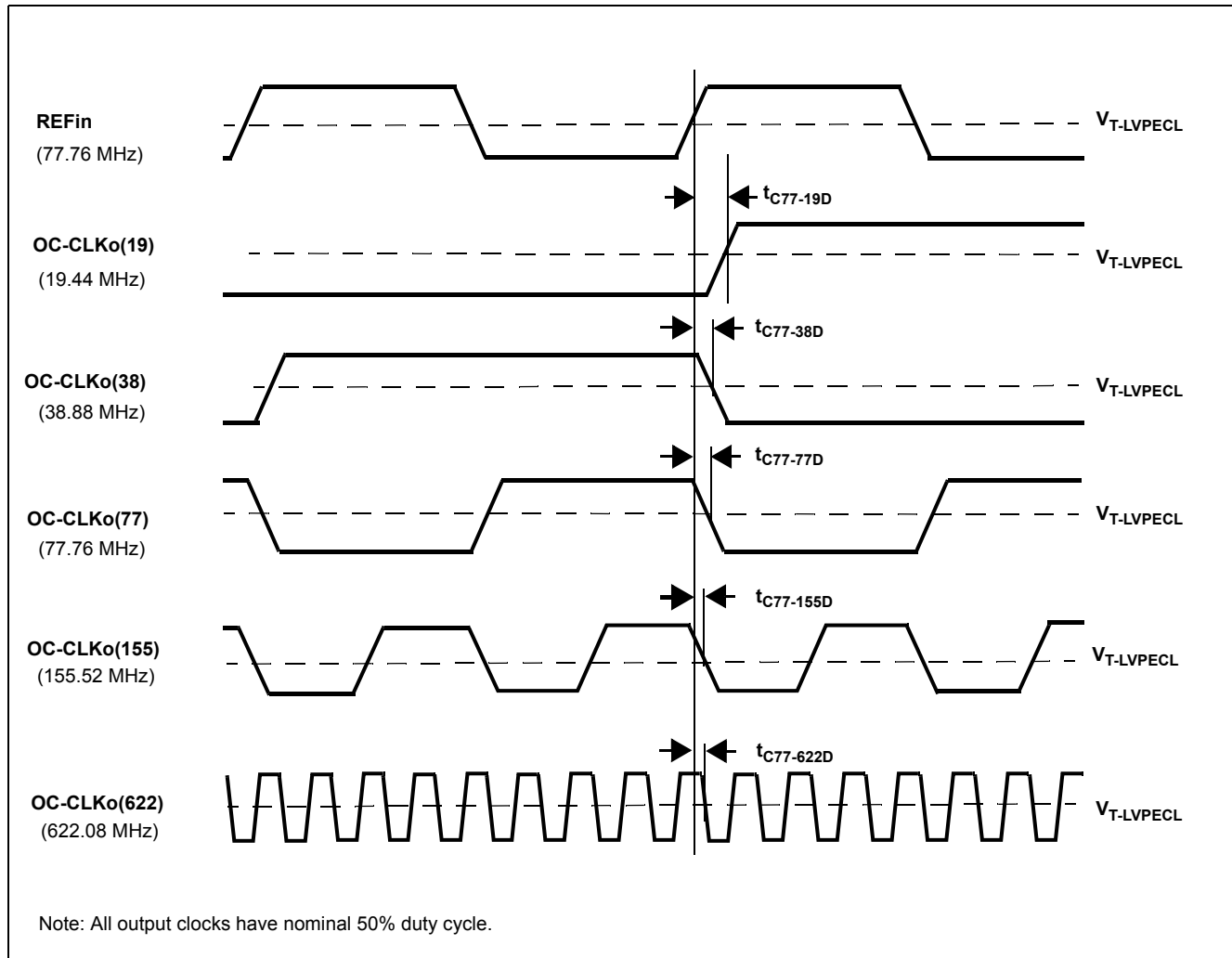


Figure 15 - REFin (77.76 MHz) Input to OC-CLKo Output Timing

Performance Characteristics - Functional - ($V_{CC} = 3.3\text{ V} \pm 10\%$; $T_A = -40\text{ to }85^\circ\text{C}$)

	Characteristics	Min.	Typ.	Max.	Units	Notes
1	Pull-in range	± 1000			ppm	At nominal input reference frequency C19i = 19.44 MHz
2	Lock Time			300	ms	

Performance Characteristics: Output Jitter Generation - GR-253-CORE conformance ($V_{CC} = 3.3\text{ V} \pm 10\%$; $T_A = -40\text{ to }85^\circ\text{C}$)

GR-253-CORE Jitter Generation Requirements					ZL30416 Jitter Generation Performance		
	Interface (Category II)	Jitter Measurement Filter	Limit in UI	Equivalent limit in time domain	Typ. [†]	Max. [‡]	Units
1	OC-192 STS-192	4 MHz to 80 MHz	0.1 UI _{pp}	10.0	-	6.95	pS _{P-P}
					0.49	0.89	pS _{RMS}
		20 kHz to 80 MHz	0.3 UI _{pp}	30.1	-	11.5	pS _{P-P}
					0.82	1.04	pS _{RMS}
2	OC-48 STS-48	12 kHz - 20 MHz	0.1 UI _{pp}	40.2	-	7.32	pS _{P-P}
			0.01 UI _{RMS}	4.02	0.58	0.83	pS _{RMS}
3	OC-12 STS-12	12 kHz - 5 MHz	0.1 UI _{pp}	161	-	4.37	pS _{P-P}
			0.01 UI _{RMS}	16.1	0.34	0.60	pS _{RMS}

† Typical figures are for design aid only; not guaranteed and not subject to production testing.

‡ Loop Filter components: $R_F=8.2\text{ k}\Omega$, $C_F=470\text{ nF}$.

Performance Characteristics: Output Jitter Generation - G.813 conformance (Option 1 and 2) ($V_{CC} = 3.3\text{ V}$
 $\pm 10\%$; $T_A = -40\text{ to }85^\circ\text{C}$)

G.813 Jitter Generation Requirements					ZL30416 Jitter Generation Performance		
	Interface	Jitter Measurement Filter	Limit in UI	Equivalent limit in time domain	Typ. [†]	Max. [‡]	Units
Option 1							
1	STM-64	4 MHz to 80 MHz	0.1 UIpp	10.0	-	6.95	pSp-P
					0.49	0.89	pSRMS
		20 kHz to 80 MHz	0.5 UIpp	50.2	-	11.5	pSp-P
					0.82	1.04	pSRMS
2	STM-16	1 MHz to 20 MHz	0.1 UIpp	40.2	-	6.40	pSp-P
					0.50	0.68	pSRMS
		5 kHz to 20 MHz	0.5 UIpp	201	-	8.67	pSp-P
					0.68	1.06	pSRMS
3	STM-4	250 kHz to 5 MHz	0.1 UIpp	161	-	3.33	pSp-P
					0.26	0.42	pSRMS
		1 kHz to 5 MHz	0.5 UIpp	804	-	19.1	pSp-P
					1.51	2.88	pSRMS
Option 2							
5	STM-64	4 MHz to 80 MHz	0.1 UIpp	10.0	-	6.95	pSp-P
					0.49	0.89	pSRMS
		20 kHz to 80 MHz	0.3 UIpp	30.1	-	11.5	pSp-P
					0.82	1.04	pSRMS
6	STM-16	12 kHz - 20 MHz	0.1 UIpp	40.2	-	7.32	pSp-P
					0.58	0.83	pSRMS
7	STM-4	12 kHz - 5 MHz	0.1 UIpp	161	-	4.37	pSp-P
					0.34	0.60	pSRMS

[†] Typical figures are for design aid only: not guaranteed and not subject to production testing.

[‡] Loop Filter components: $R_F=8.2\text{ k}\Omega$, $C_F=470\text{ nF}$.

Performance Characteristics: Output Jitter Generation - ETSI EN 300 462-7-1 conformance ($V_{CC} = 3.3 \text{ V} \pm 10\%$;
 $T_A = -40 \text{ to } 85^\circ\text{C}$)

EN 300 462-7-1 Jitter Generation Requirements					ZL30416 Jitter Generation Performance		
	Interface	Jitter Measurement Filter	Limit in UI	Equivalent limit in time domain	Typ. [†]	Max. [‡]	Units
1	STM-16	1 MHz to 20 MHz	0.1 UIpp	40.2	-	6.40	pSP-P
					0.50	0.68	pSRMS
		5 kHz to 20 MHz	0.5 UIpp	201	-	8.67	pSP-P
					0.68	1.06	pSRMS
2	STM-4	250 kHz to 5 MHz	0.1 UIpp	161	-	3.33	pSP-P
					0.26	0.42	pSRMS
		1 kHz to 5 MHz	0.5 UIpp	804	-	19.1	pSP-P
					1.51	2.88	pSRMS

[†] Typical figures are for design aid only: not guaranteed and not subject to production testing.

[‡] Loop Filter components: $R_F=8.2 \text{ k}\Omega$, $C_F=470 \text{ nF}$



**For more information about all Zarlink products
visit our Web Site at
www.zarlink.com**

Information relating to products and services furnished herein by Zarlink Semiconductor Inc. or its subsidiaries (collectively "Zarlink") is believed to be reliable. However, Zarlink assumes no liability for errors that may appear in this publication, or for liability otherwise arising from the application or use of any such information, product or service or for any infringement of patents or other intellectual property rights owned by third parties which may result from such application or use. Neither the supply of such information or purchase of product or service conveys any license, either express or implied, under patents or other intellectual property rights owned by Zarlink or licensed from third parties by Zarlink, whatsoever. Purchasers of products are also hereby notified that the use of product in certain ways or in combination with Zarlink, or non-Zarlink furnished goods or services may infringe patents or other intellectual property rights owned by Zarlink.

This publication is issued to provide information only and (unless agreed by Zarlink in writing) may not be used, applied or reproduced for any purpose nor form part of any order or contract nor to be regarded as a representation relating to the products or services concerned. The products, their specifications, services and other information appearing in this publication are subject to change by Zarlink without notice. No warranty or guarantee express or implied is made regarding the capability, performance or suitability of any product or service. Information concerning possible methods of use is provided as a guide only and does not constitute any guarantee that such methods of use will be satisfactory in a specific piece of equipment. It is the user's responsibility to fully determine the performance and suitability of any equipment using such information and to ensure that any publication or data used is up to date and has not been superseded. Manufacturing does not necessarily include testing of all functions or parameters. These products are not suitable for use in any medical products whose failure to perform may result in significant injury or death to the user. All products and materials are sold and services provided subject to Zarlink's conditions of sale which are available on request.

Purchase of Zarlink's I2C components conveys a licence under the Philips I2C Patent rights to use these components in an I2C System, provided that the system conforms to the I2C Standard Specification as defined by Philips.

Zarlink, ZL, the Zarlink Semiconductor logo and the Legerity logo and combinations thereof, VoiceEdge, VoicePort, SLAC, ISLIC, ISLAC and VoicePath are trademarks of Zarlink Semiconductor Inc.

TECHNICAL DOCUMENTATION - NOT FOR RESALE
