

NOTE: #7 AND #8 PIN NOT AVAILABLE IN FEMALE PANEL CONNECTORS

SPECIFICATIONS

MECHANICAL:
 SHOCK: MIL-STD 202 METHOD 213B, COND. K.
 VIBRATION: MIL-STD 202 METHOD 201
 LIFE: 300 INSERTION/WITHDRAWAL CYCLES (MINIMUM)

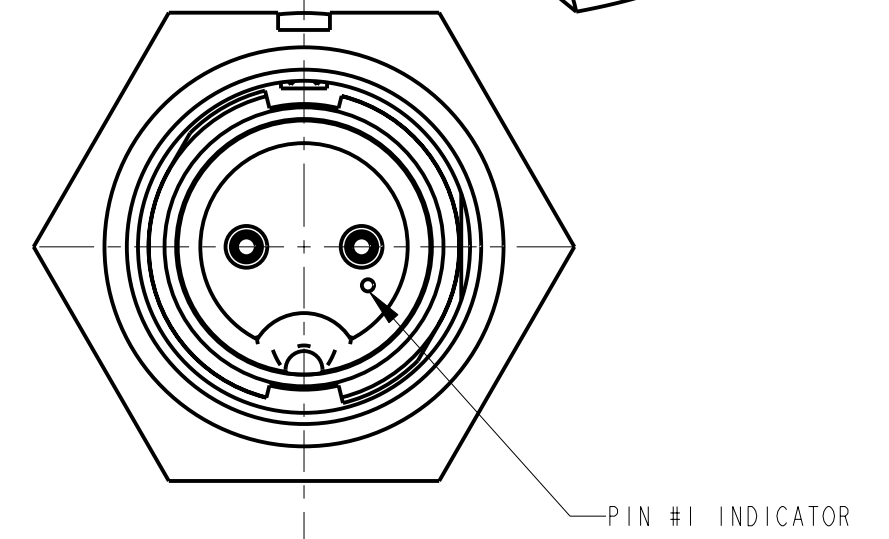
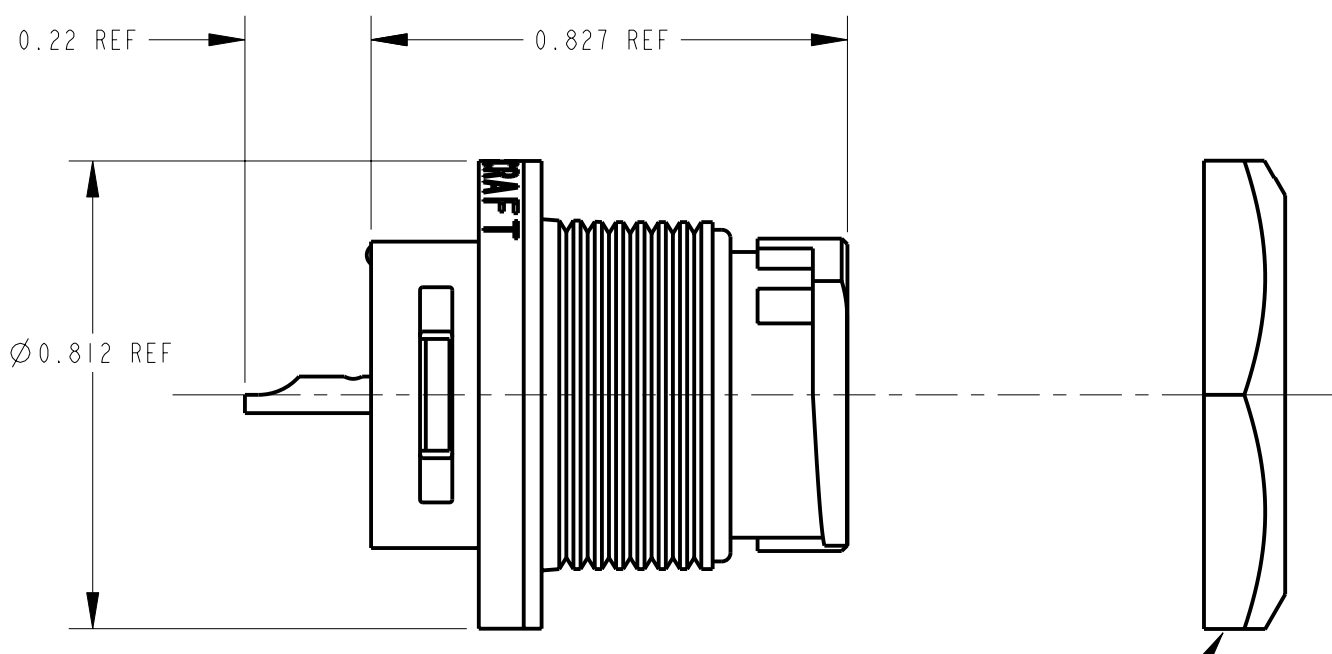
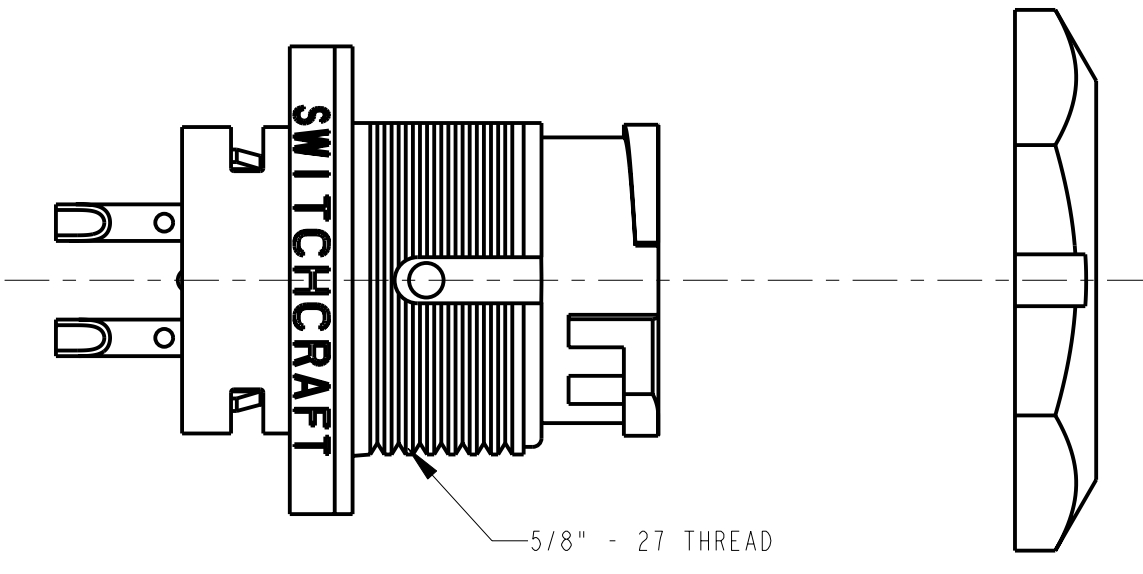
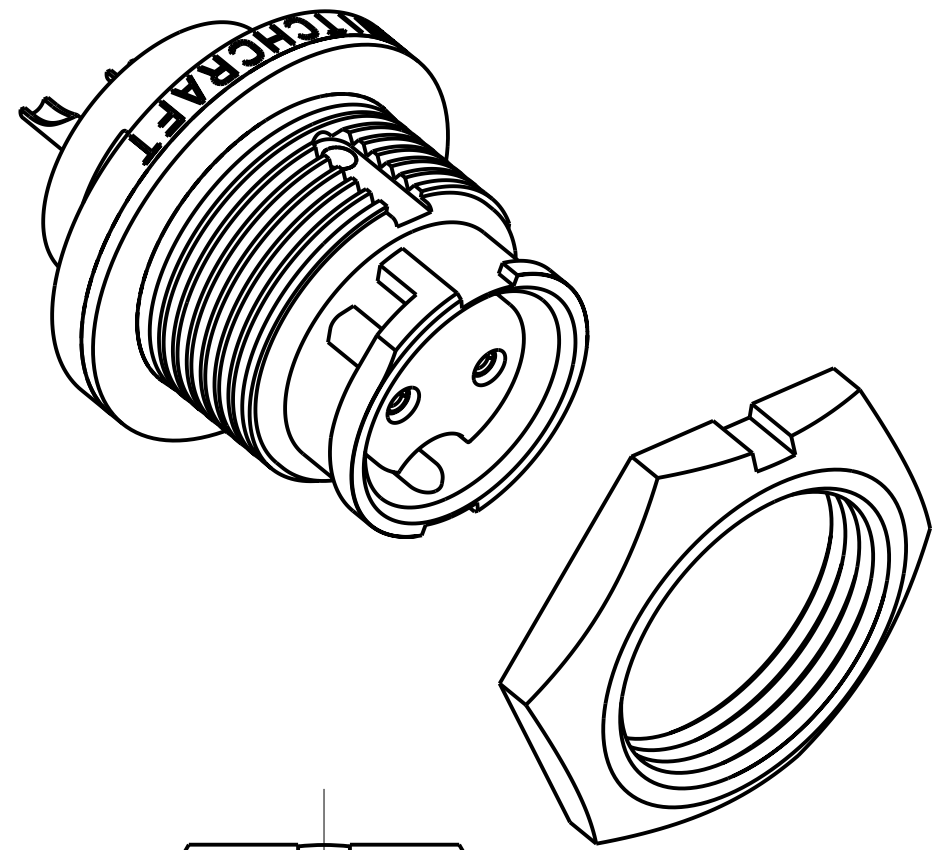
ELECTRICAL
 DIELECTRIC WITHSTANDING VOLTAGE: 1,000 VAC
 INSULATION RESISTANCE: 100 MEGOHMS (MIN) AT 77°F
 CONTACT RESISTANCE: 5.0 MILLOHMS MAX.
 CURRENT RATING: 7.5 AMPS (#20 CONTACT)
 13.0 AMPS (#16 CONTACT)

ENVIRONMENTAL
 TEMPERATURE LIMITS: -40°C TO +65°C (NON-OPERATING)
 MOISTURE RESISTANCE: MIL-STD 202 METHOD 106F
 INSULATION RESISTANCE: MIL-STD 202 METHOD 302, COND. B
 THERMAL SHOCK: MIL-STD 202 METHOD 107G
 SALT SPRAY: MIL-STD 202 METHOD 101D, COND. B
 WATER TIGHTNESS TEST: U.S. COAST GUARD CFR 46 PART 110.20

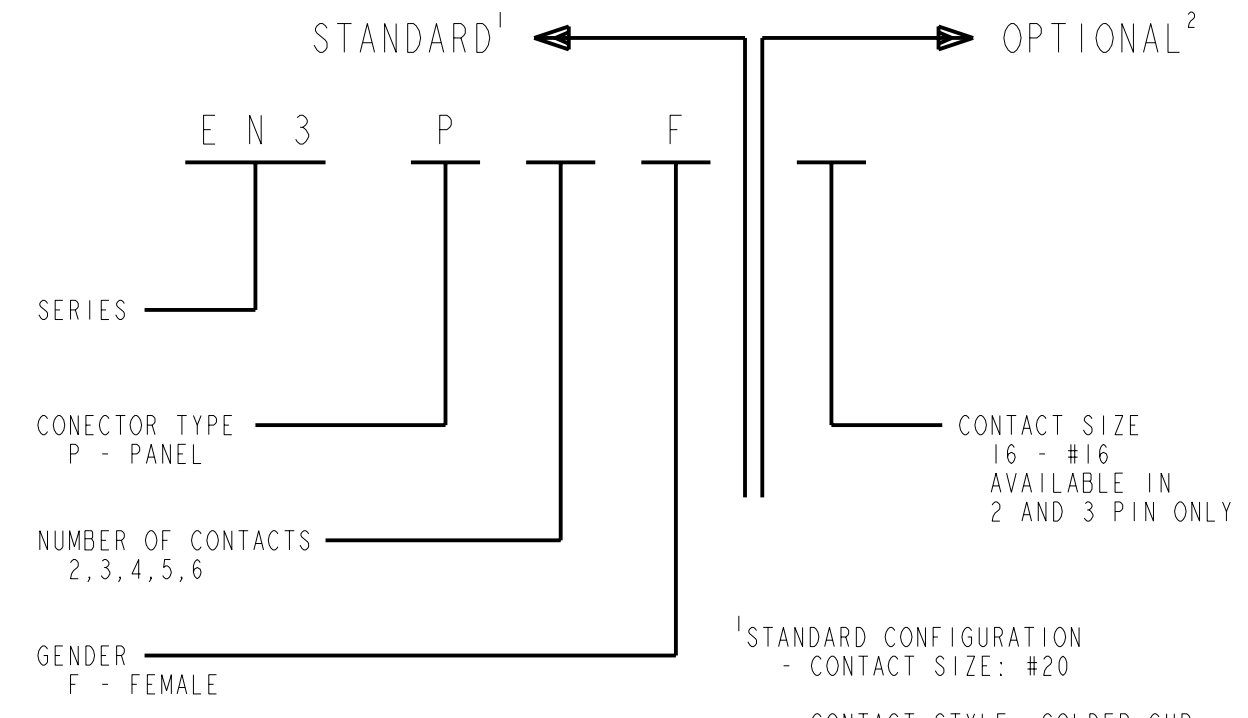
- NOTES:**
- HEX NUT TORQUE: 8 TO 10 INCH-LBS. OF TORQUE (MUST NOT EXCEED 10 INCH-LBS.)
 - HEX NUT SHIPPED UNASSEMBLED.

CONTACT ARRANGEMENT

SHOWN ARE REAR VIEWS OF FEMALE PANEL CONNECTORS



MATERIALS:
 PANEL CONNECTOR SHELL, CONTACT LOCKING DISC: THERMOPLASTIC POLYMER GLASS FIBER, FLAME RETARDANT
 CONNECTOR SHELL INTERIOR: THERMOPLASTIC RUBBER
 CONTACTS: COPPER BASE ALLOY GOLD-PLATED OVER NICKEL UNDERPLATE
 HEX NUT: THERMOPLASTIC



- ¹STANDARD CONFIGURATION - CONTACT SIZE: #20
- CONTACT STYLE: SOLDER CUP
 - CONTACT PLATING: GOLD
 - CONTACTS FACTORY INSTALLED
 - PACKAGED IN BULK
- ²OPTIONAL CONFIGURATION - LEAVE BLANK FOR STANDARD CONFIGURATION

CUSTOMER DRAWING

H	24661	3-4-04	JL	EB	★ STAR SYMBOL DENOTES CRITICAL DIMENSION	THIS DRAWING DESCRIBES A DESIGN CONSIDERED PROPRIETARY IN NATURE, DEVELOPED AND MANUFACTURED BY SWITCHCRAFT INC. AND IS RELEASED ON A CONFIDENTIAL BASIS FOR IDENTIFICATION PURPOSES ONLY.
G	ECO #23595	1-31-01	TJK	TJK	UNLESS OTHERWISE SPECIFIED	SIZE WIDTH MULT LBS/M TEMPER
F	ECO #22232	2-23-98	SG	SC	1. ALL DIMENSIONS IN INCHES - TWO PLACE DECIMALS ±0.01 - THREE PLACE DECIMALS ±0.005 - ANGLES ±1° - ALL DIA. CONCENTRIC WITHIN 0.005 T.I.R.	FINISH SPEC No. MATERIAL SPEC No.
E	ECO #21577	12-30-93	MM	FL	2. FEATURES ON THE SAME CENTERLINE MUST BE ALIGNED WITHIN ±0.002	FIRST USED ON SCALE 3:1
D	ECO #21461	12-2-96	MM	FL	3. REMOVE ALL BURRS	DATE DRAWN BY CHKD APVD 1-28-95 SG 2-27-95 FL 2-27-95
C	ECO #19818	10-9-95	RC	KS	DO NOT SCALE DRAWING	NAME FEMALE PANEL CONNECTORS EN3P_F SERIES SHEET OF
B	FIRST DRAWN	1-28-95	SG	FL		REV H
REV	ECO NUMBER	DATE	BY	APVD		PART No. EN3P_F
REVISIONS						