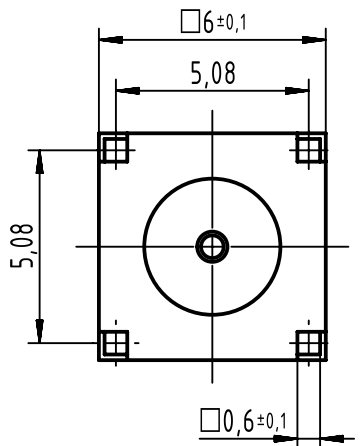
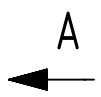
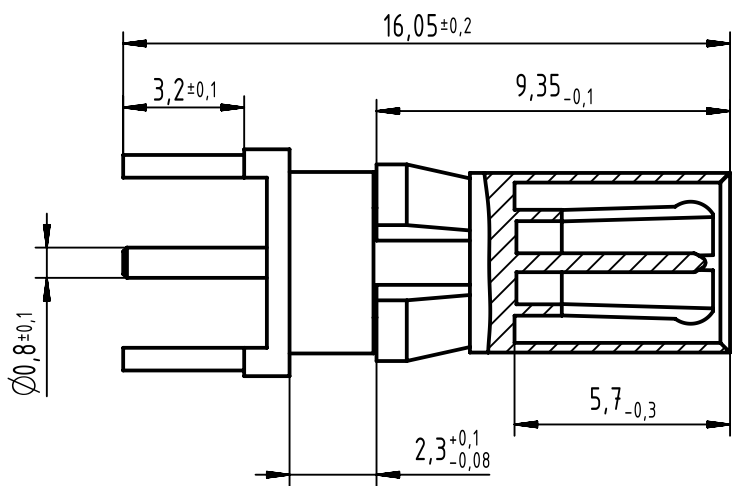


A

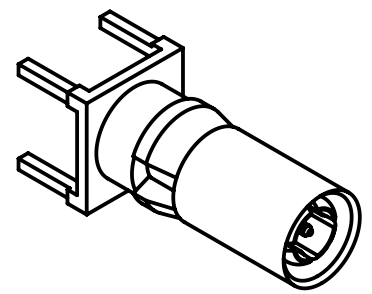
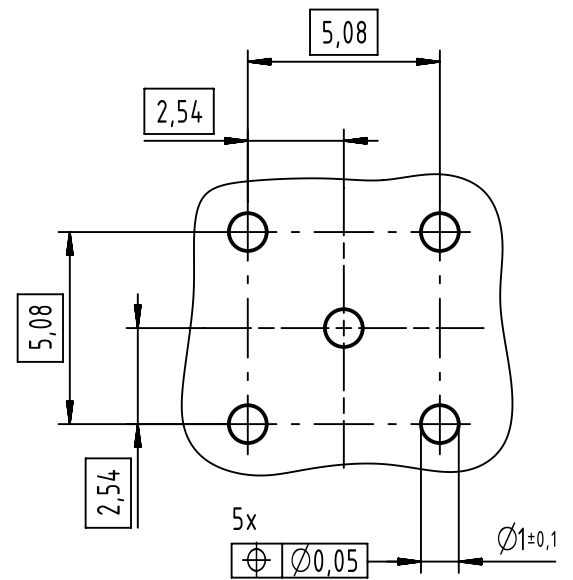
B

C

D



A
board drillings



	All rights reserved Department EC PD - DE	All Dimensions in mm Original Size DIN A4		Scale 5:1	Free size tol. DIN 41626-2	Ref. Sub.
		Created by LEHNERT	Inspected by DAHMS	Standardisation KOHLER	Date 2017-12-13	State Final Release
HARTING Electronics GmbH D-32339 Espelkamp		Title DIN Signal male contact coax 50 Ohm straight solder			Doc-Key / ECM-Nr. 100072499/UGD/002/C 500000129055	
		Type TB	Number 09030006165		Rev. C	Page 1/1